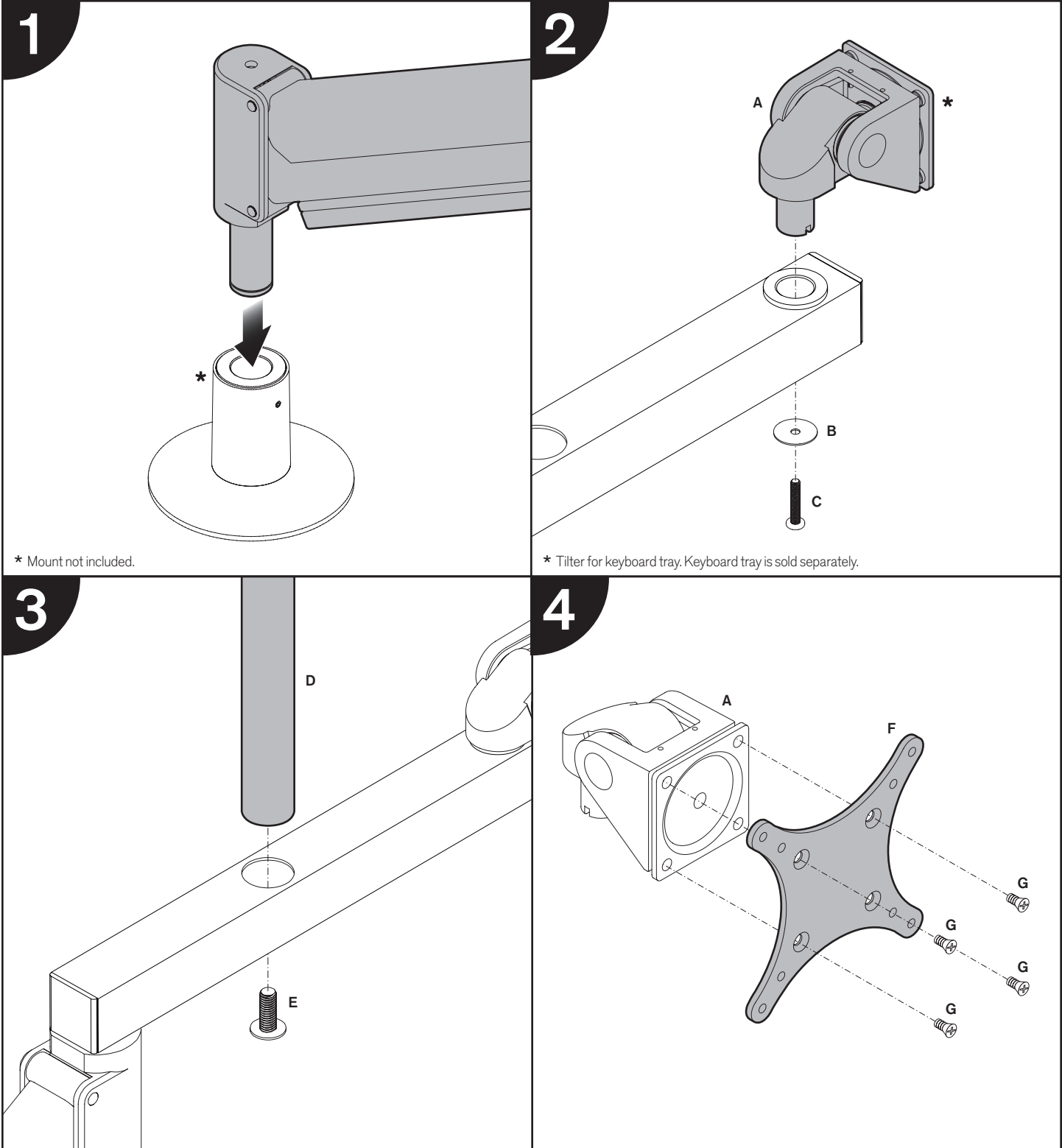
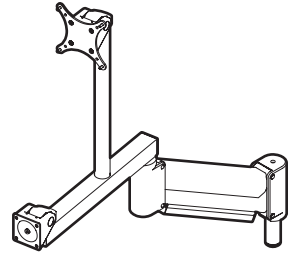
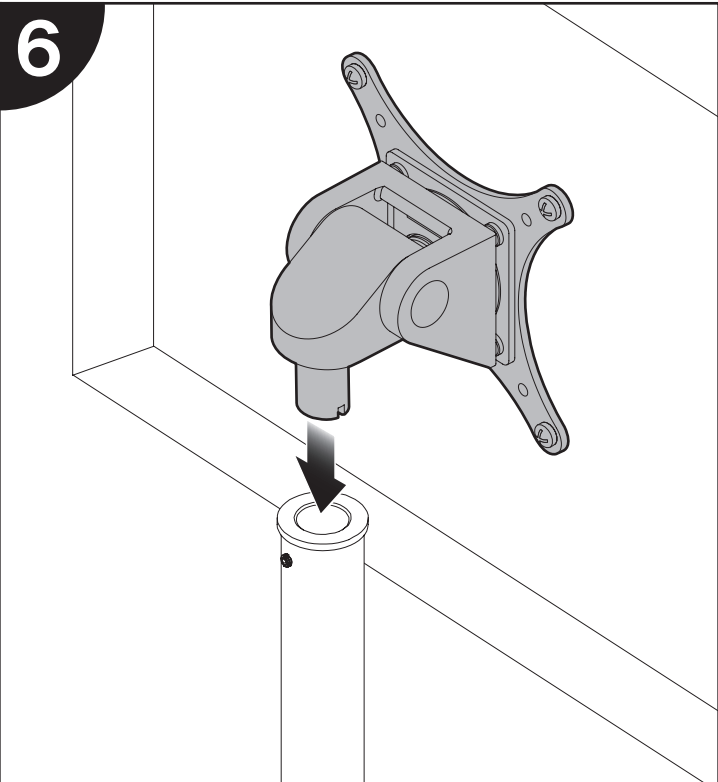
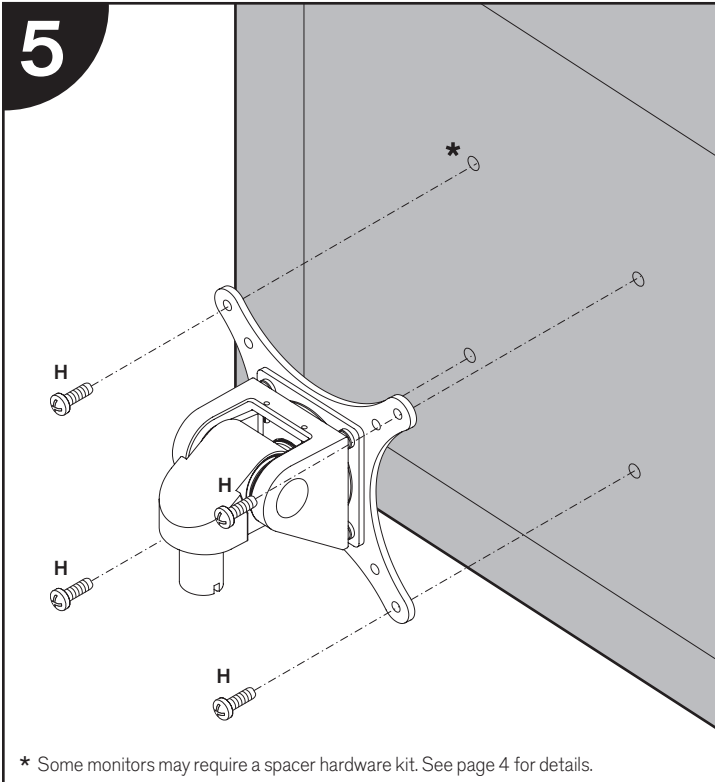


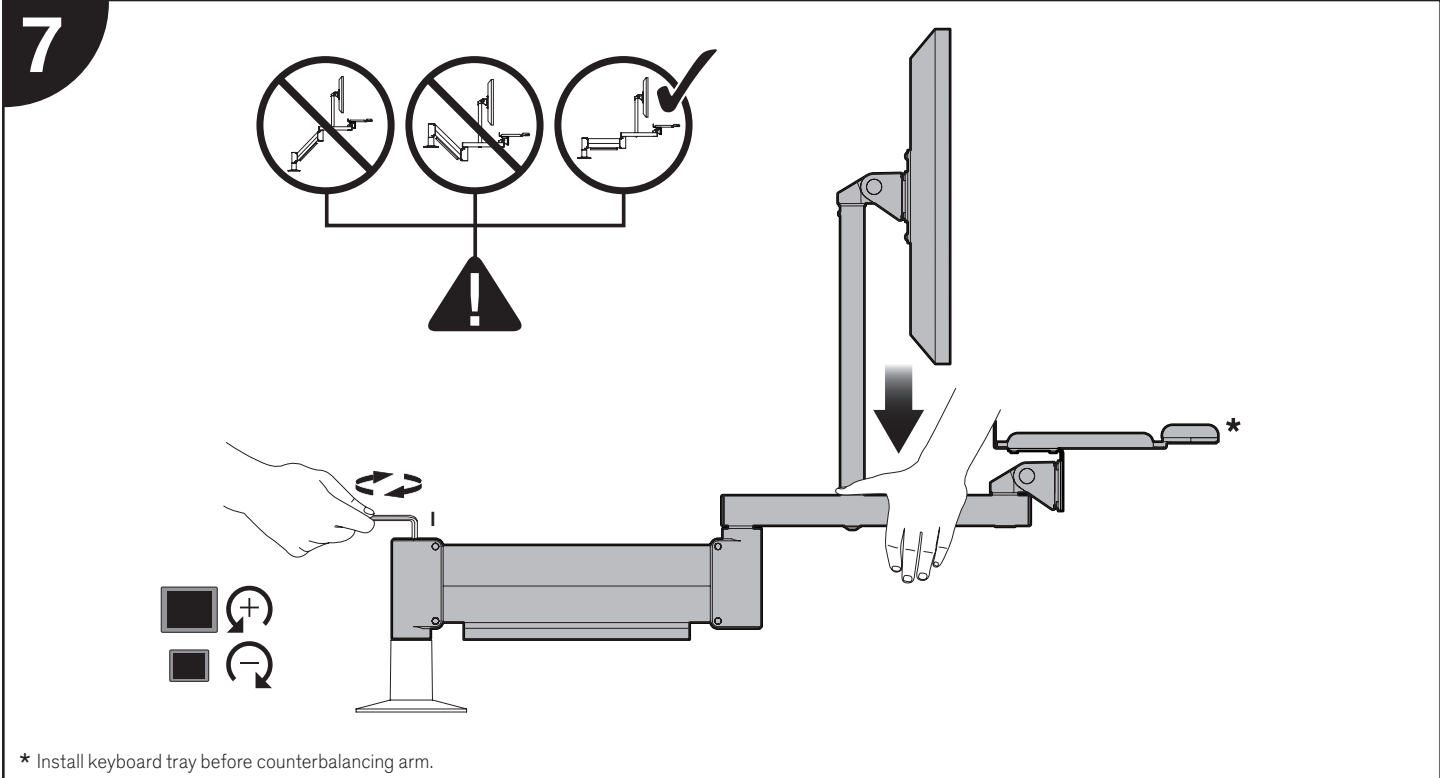
MODEL TRS2818

Installation Instructions

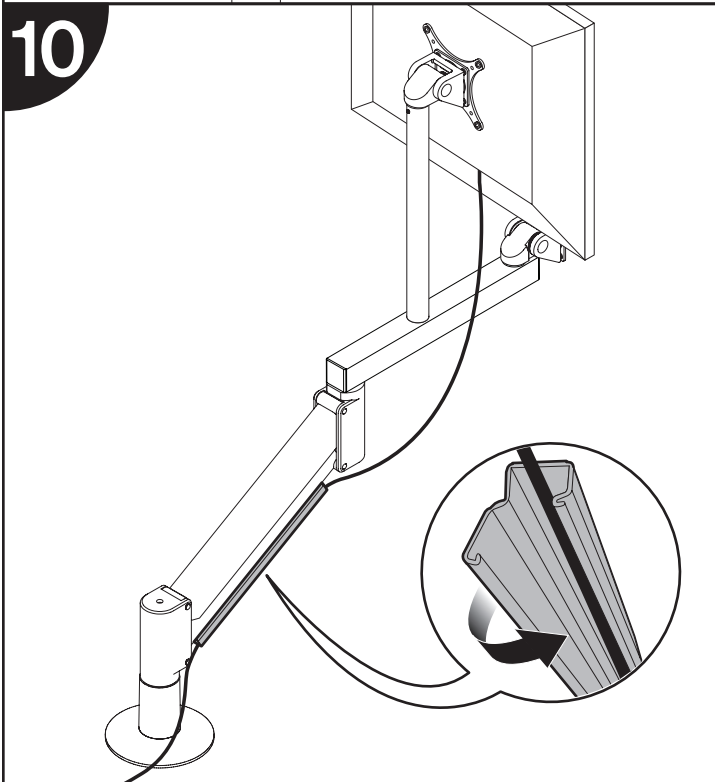
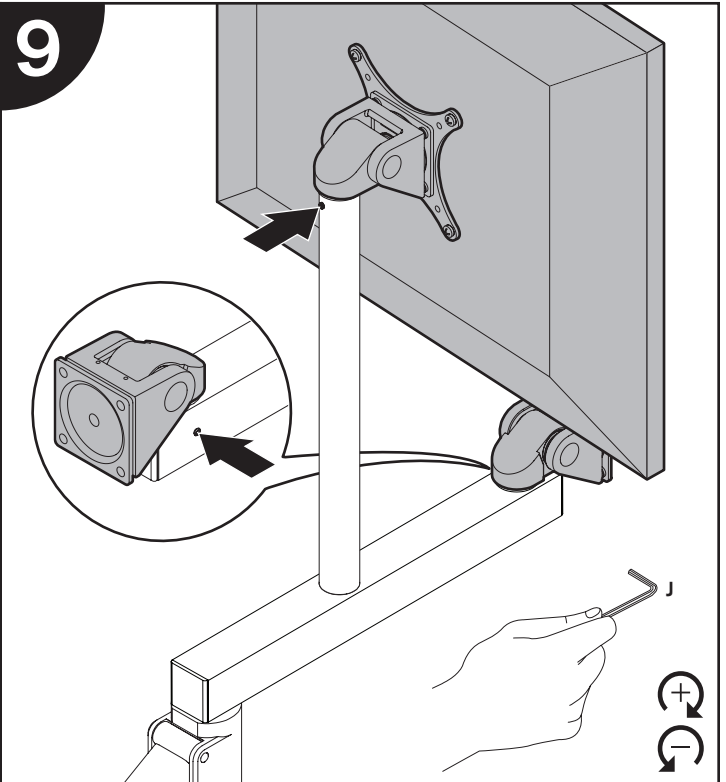
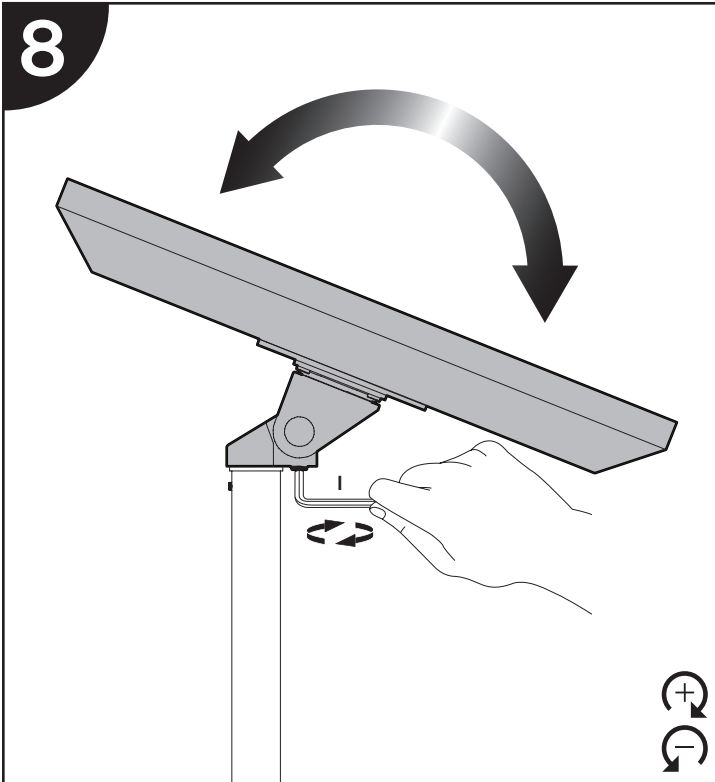




* Some monitors may require a spacer hardware kit. See page 4 for details.

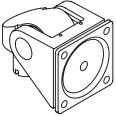
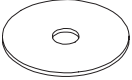
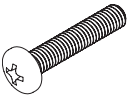
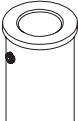





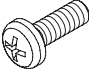
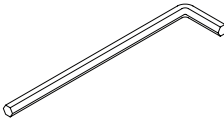

* Install keyboard tray before counterbalancing arm.



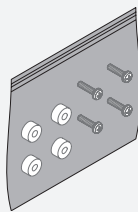
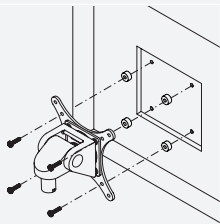
MODEL TRS2818

Parts List

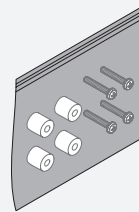
ITEM	DESCRIPTION / PART NO.	QUANTITY
A	 Spring-Assisted Tilter 407747	2
B	 Washer 704197	1
C	 10-32 x 1" PhPMS 706710	1
D	 Forearm Tube 409336	1
E	 3/8-16 x 1" Flanged BHS 709332	1

ITEM	DESCRIPTION / PART NO.	QUANTITY
F	 10-32 x 3/8" Phillips Flat Head Screw 702281 (4-pack)	1
G	 75/100mm VESA® Adapter Plate 105587	1
H	 M4 x 12mm Phillips Pan Head Screw 702096 (4-pack)	1
I	 7/32" Allen Wrench 701127	1
J	 3/32" Allen Wrench 700146	1

OPTIONAL SPACER KITS In some cases, the mounting surface on your monitor may be recessed further than permitted by VESA® standards. As a result, a spacer kit may be required.



.25" Spacer Hardware Kit
 (4) .25" Spacers
 (4) M4 x 18mm Phillips Pan Head Screws
 Order # P404923-B



.5" Spacer Hardware Kit
 (4) .5" Spacers
 (4) M4 x 25mm Phillips Pan Head Screws
 Order # P404923-C