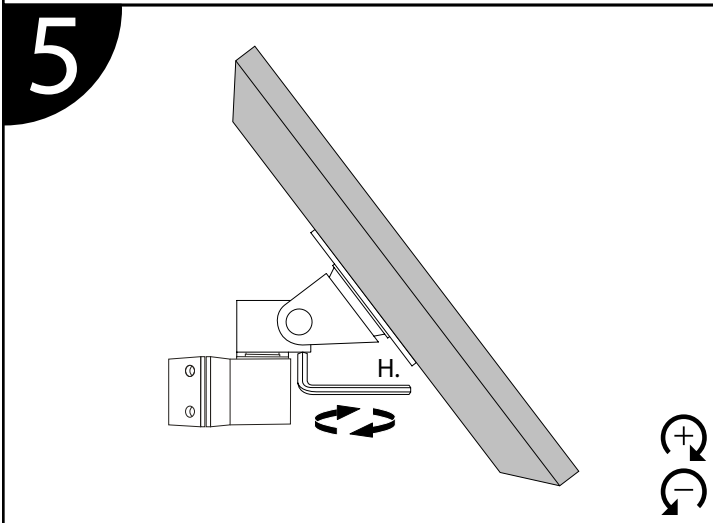
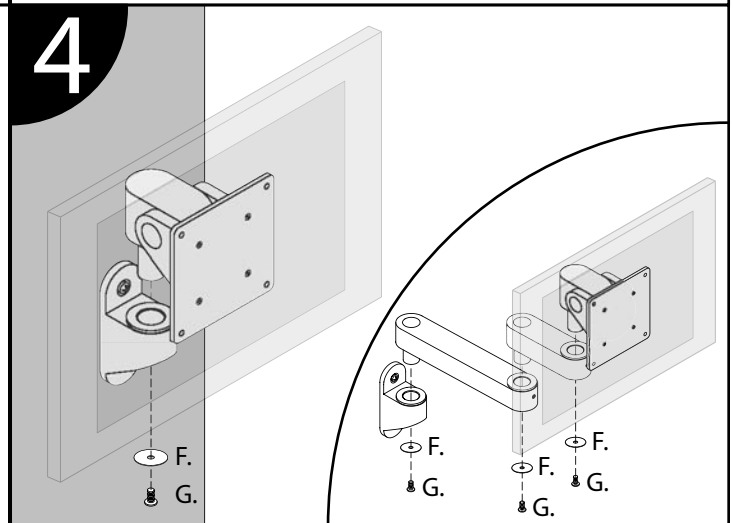
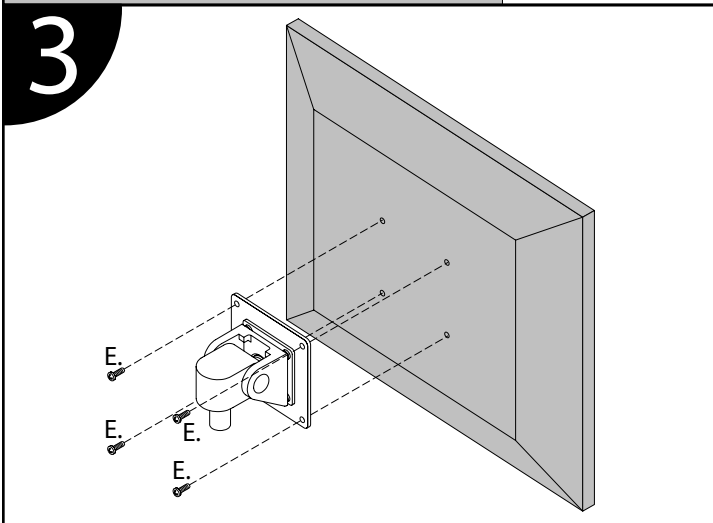
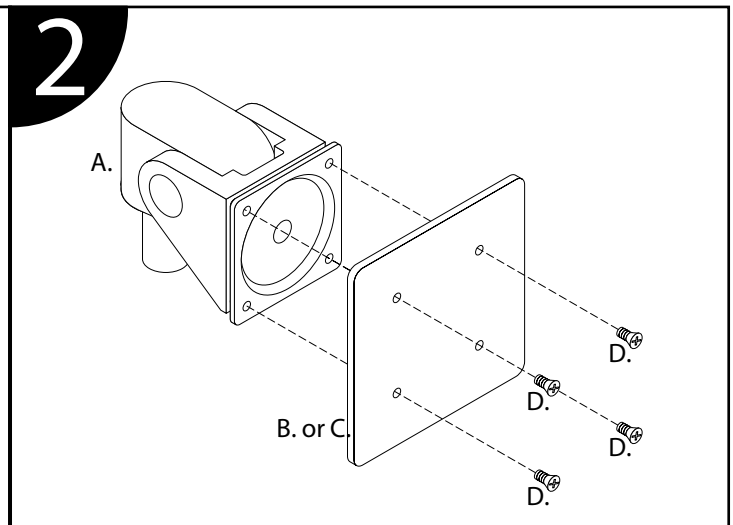
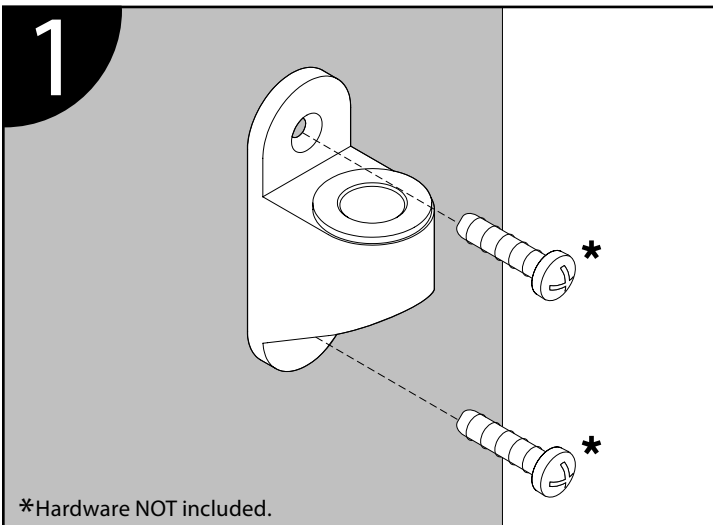


# 9110 Installation Instructions

www.ergomart.com | 888 420 3200



Please call Ergomart at  
**888 420 3200**  
with your questions

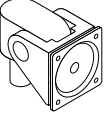
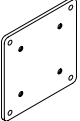
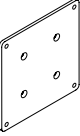
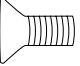
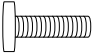
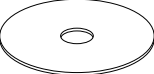
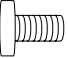

www.ergomart.com

## **ERGOMART**

Ergonomic solutions for office and light industrial work environments

# 9110 Parts List

www.ergomart.com | 888 420 3200

ITEM	DESCRIPTION / PART NO.	QUANTITY		
		Model# 9110	Model# 9110-4 & 9110-8.5	Model# 9110-8.5-4
A. 	Monitor Tilter 8013	1	1	1
B. 	75mm VESA Adapter Plate 7VESA75	1	1	1
C. 	100mm VESA Adapter Plate 7VESA100	1	1	1
D. 	10-32 x 3/8" (9.525mm) Philips Flat Head Screw 701164	4	4	4
E. 	M4-12 Philips Pan Head Screw 702096	4	4	4
F. 	Tilter Washer 704197	1	2	3
G. 	10-32 x 3/8" (9.525mm) Philips Pan Head Screw 700115	1	2	3
H. 	7/32" (5.563mm) Allen Wrench 701127	1	1	1

## **ERGOMART**

Ergonomic solutions for office and light industrial work environments