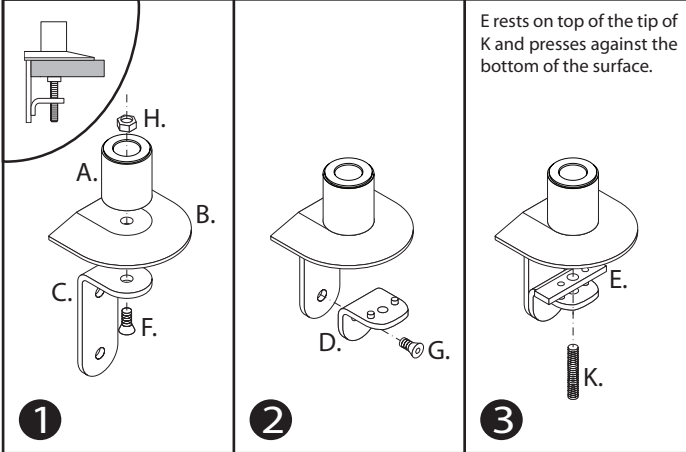


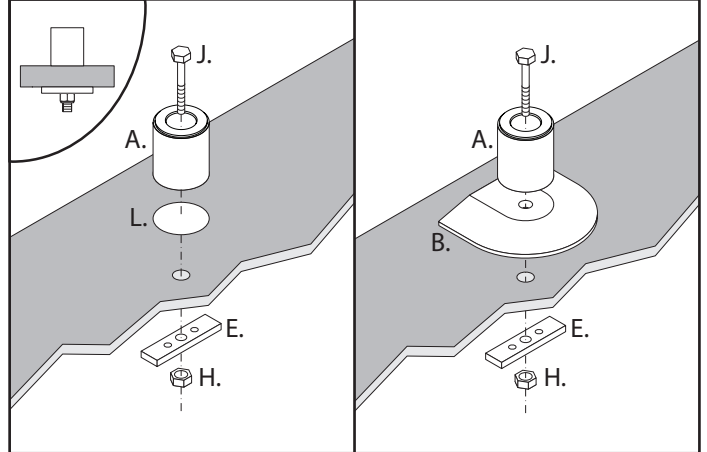
# FLEXIBLE MOUNT KIT Installation Instructions

www.ergomart.com | 888 420 3200

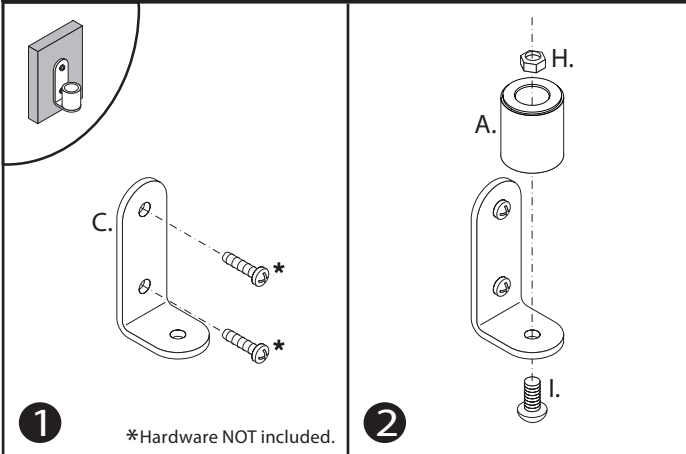
## Desk Clamp



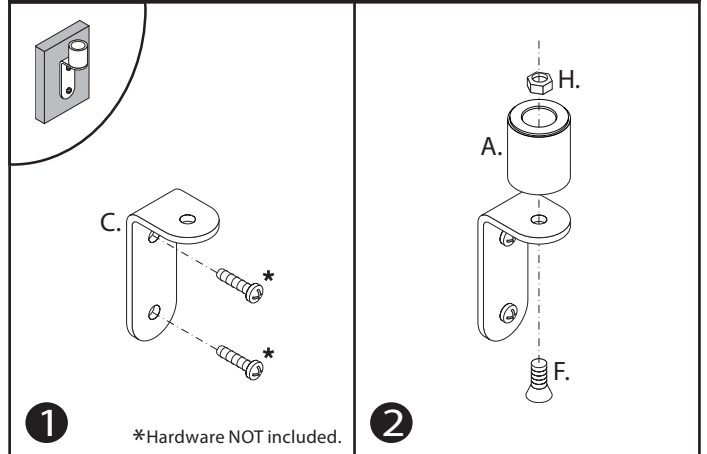
## Thru-Desk



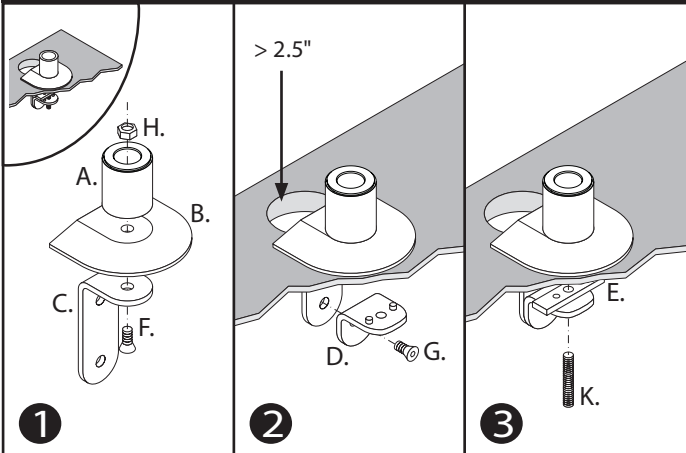
## Wall Mount



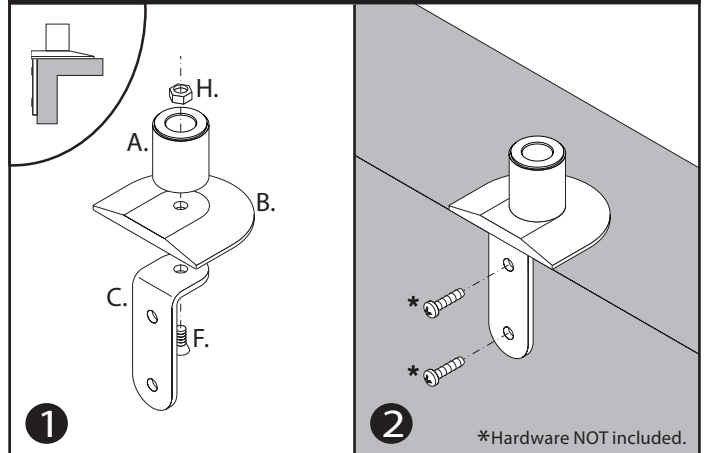
## Reverse Wall Mount



## Grommet Hole



## Side Bolt




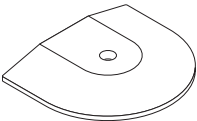
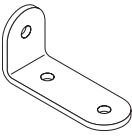
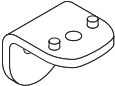
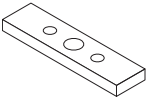
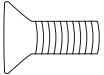
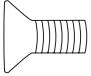
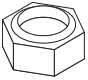
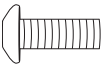
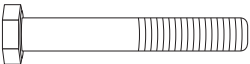
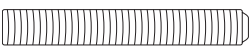

# ERGOMART

Ergonomic solutions for office and light industrial work environments

# FLEXIBLE MOUNT KIT

## Parts List

www.ergomart.com | 888 420 3200

ITEM	DESCRIPTION / PART NO.	QUANTITY
A.	 Mount Column 401328, 8269	1
B.	 Base Plate 401417, 8321	1
C.	 Large "L" Bracket 701117, 702828	1
D.	 Small "L" Bracket 701116	1
E.	 3" (76.2mm) x 3/4" (19.05mm) x 1/4" (6.35mm) Rectangular Spacer 701544	1
F.	 3/8-16 x 1" (25.4mm) Flat Socket Cap Screw 701124, 701855	1
G.	 3/8-16 x 7/8" (22.225mm) Flat Socket Cap Screw 701799	1
H.	 3/8-16 Nylon Stop Nut 701418	1
I.	 3/8-16 x 7/8" (22.225mm) Button Socket Cap Screw 701122	1
J.	 3/8-16 x 2-1/2" (63.5mm) Hex Head Bolt 700268	1
K.	 1/2-13 x 3" (76.2mm) Socket Set Screw 701126	1
L.	 Foam Pad 701120	1

# **ERGOMART**

Ergonomic solutions for office and light industrial work environments