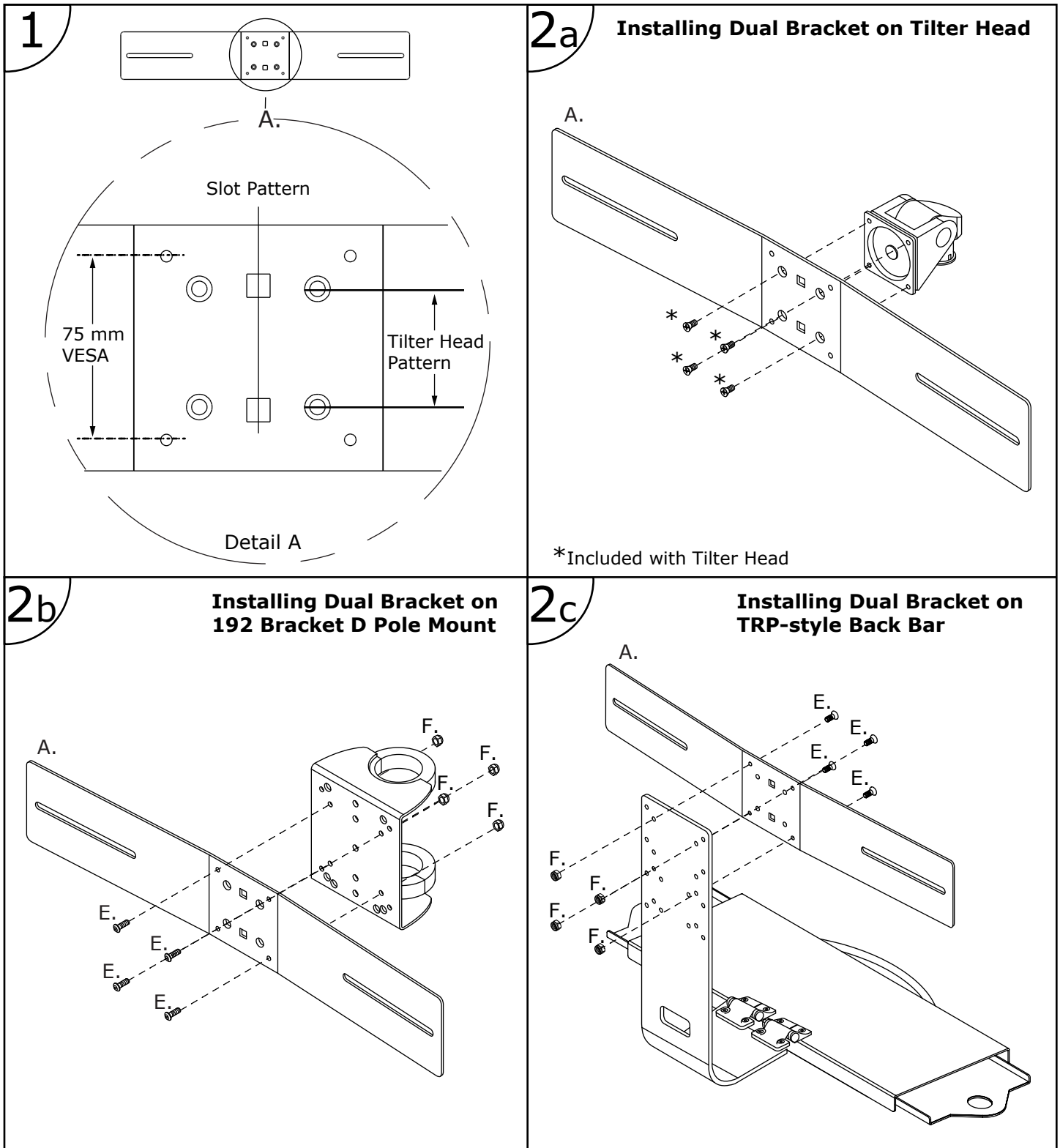


ADJ1523 Dual Monitor Bracket Installation Instructions

www.ergomart.com | 888 420 3200



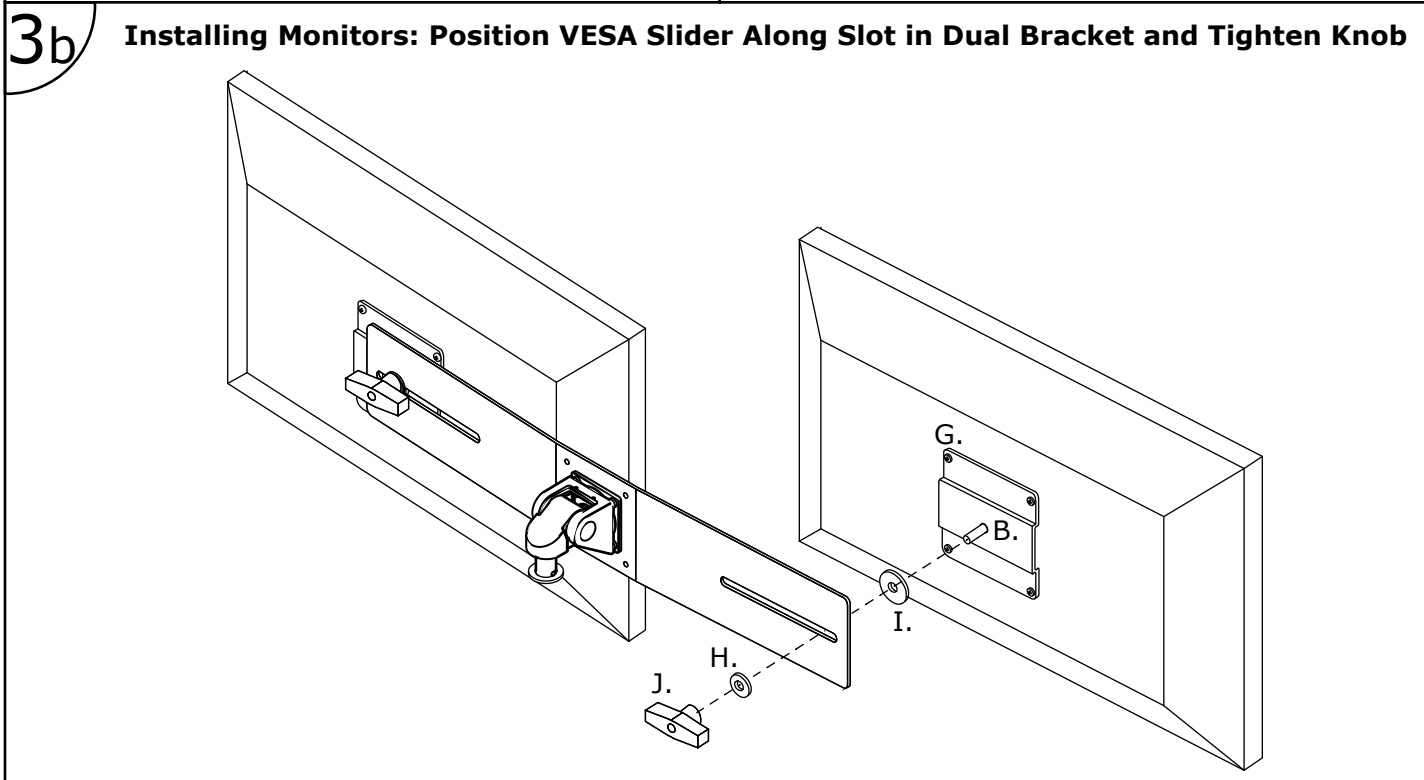
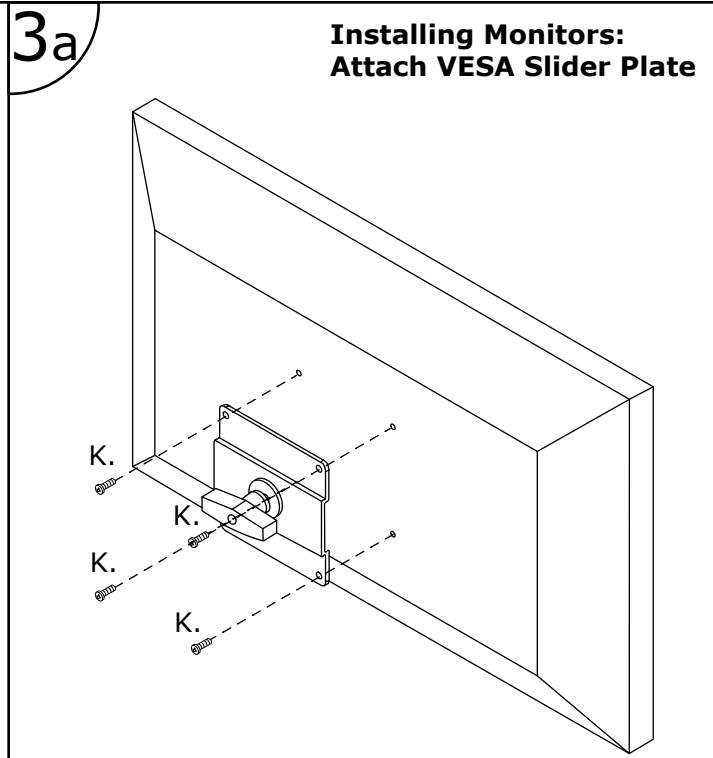
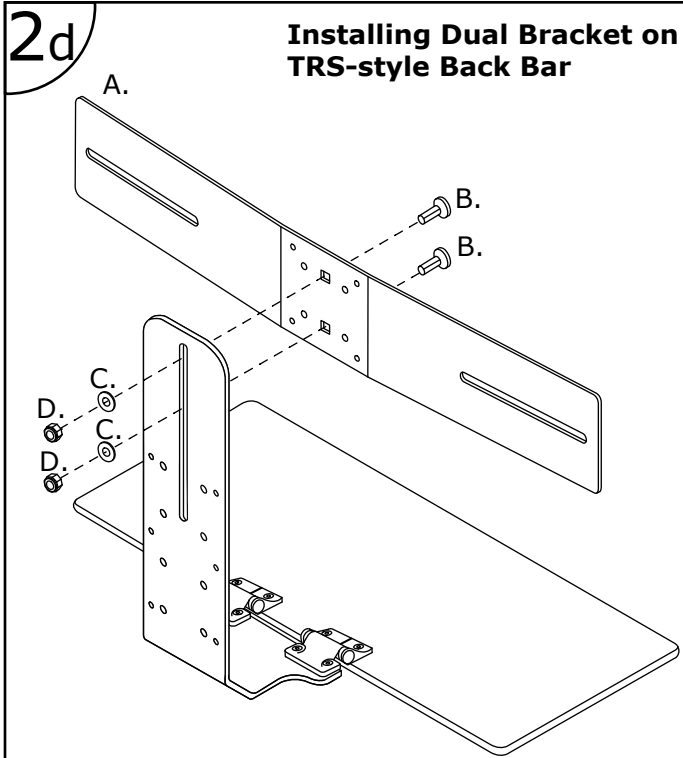
ERGOMART

Ergonomic solutions for office and light industrial work environments

©2016 Ergomart. All rights reserved.

ADJ1523 Dual Monitor Bracket Installation Instructions

www.ergomart.com | 888 420 3200



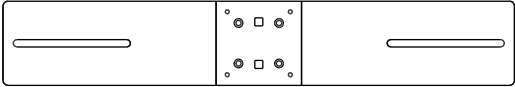
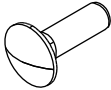




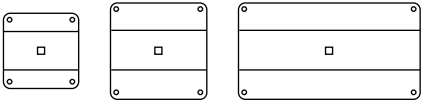

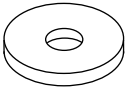
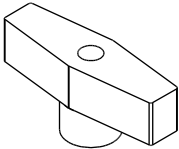

ERGOMART

Ergonomic solutions for office and light industrial work environments

©2016 Ergomart. All rights reserved.

ADJ1523 Dual Monitor Bracket Parts List

www.ergomart.com | 888 420 3200

ITEM	DESCRIPTION / PART NO.	QUANTITY
A. 	ADJ1523 Bracket	1
B. 	5/16-18 x 1 Inch Carriage Bolt	4
C. 	5/16 Steel Washer	2
D. 	5/16-18 Nylock Nut	2
E. 	M4 x 16 mm Phillips Pan Head Screw	4
F. 	M4 Nylock Nut	4
G. 	75 x 75, 100 x 100, or 100 x 200 mm VESA Adapter Plates	2 total (any combination)
H. 	Small Nylon Washer	2
I. 	Large Nylon Washer	2
J. 	T Knob	2
K. 	M4 x 12 mm Phillips Pan Head Screw	8

ERGOMART

Ergonomic solutions for office and light industrial work environments

©2016 Ergomart. All rights reserved.