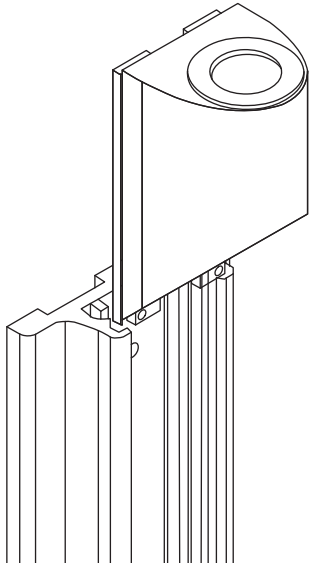


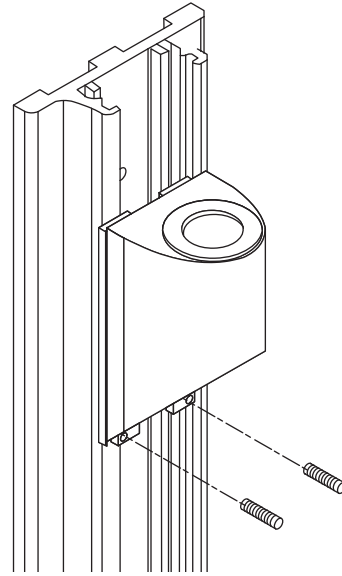
# Track Mount Instructions

## Installation Instructions

www.ergomart.com | 888 420 3200



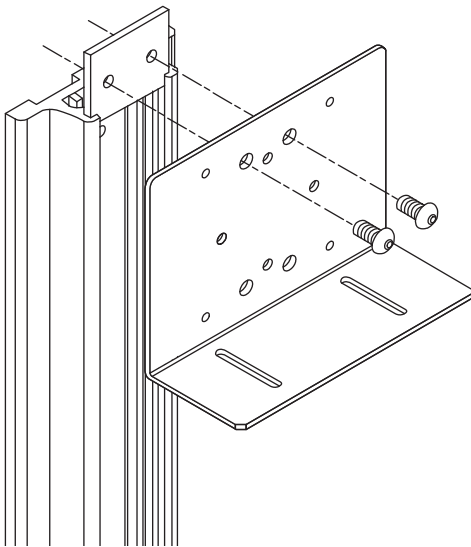
Slide track mount into the track slots as shown.



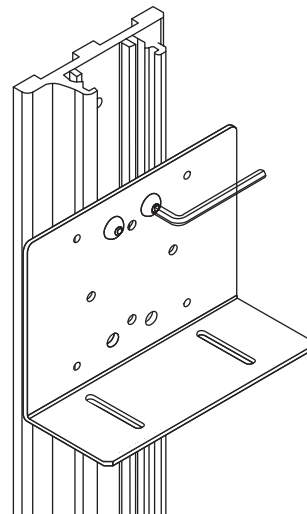
Secure mount by tightening the set screws provided.

## CPU Holder Mount

### Installation Instructions



Attach the CPU holder back plate to the vertical slider plate using the provided bolts. Leave the bolts loose enough to slide the plate along the track.



Position the CPU back plate on the track, level it and then tighten the bolts to secure it to the track. Use the fasteners provided with the CPU holder to attach and adjust the front plate.

# **ERGOMART**

Ergonomic solutions for office and light industrial work environments

©2016 Ergomart. All rights reserved.