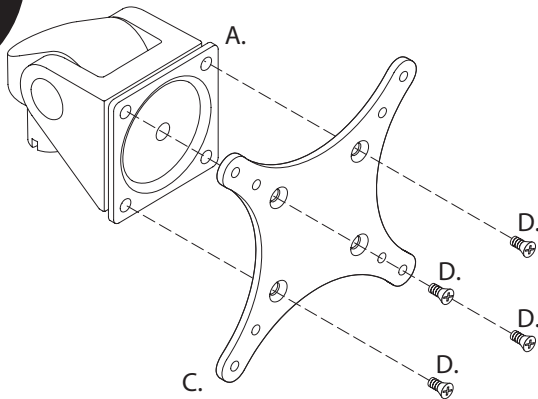


PM40 LCD Pole Mount Installation Instructions

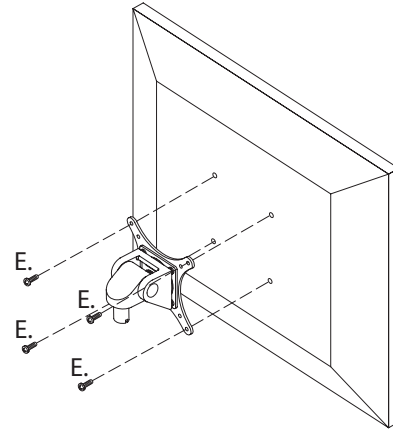
www.ergomart.com | 888 420 3200

1



Attach VESA plate to tilthead.

2



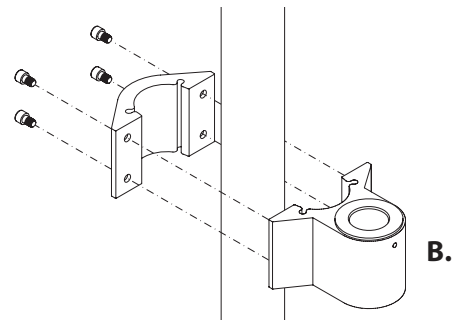
Attach monitor to VESA plate using Phillips pan head screws.

3

Nominal Diameter of Pole	Bushing Insert
1.5"	Ribbed Insert (M)
1.75"	Smooth insert (L)
1.9"	Rubber Pad (K)
2"	No Bushing Required

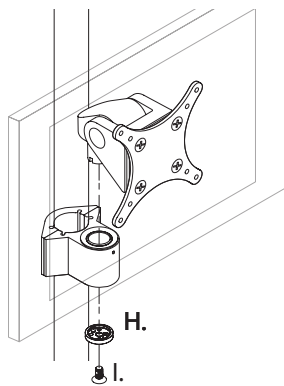
Use chart to select proper bushing for the pole's diameter. Mount comes with a rubber pad insert, ready for 1.9 inch poles and the Ergomart series 192 pole.

4

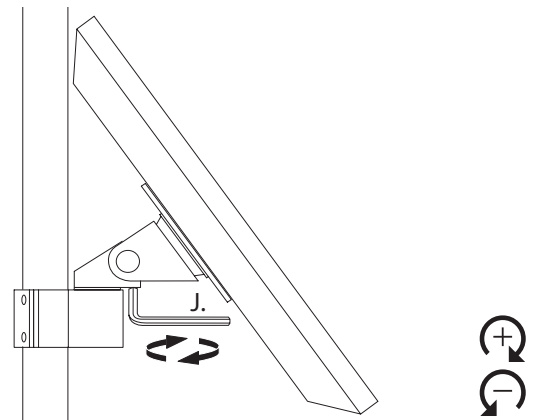


With the proper bushing or insert in place, attach the mount (B) to the pole using the included four 1/4-20x1/2" screws. To ensure a proper fit first install all 4 screws without overtightening. Then gradually tighten each screw a little at a time, moving from one screw to the next to keep the pressure relatively even.

5



Place tilthead with monitor in mount and secure with dog washer and screw.



Adjust tilt resistance using 3/16" Allen Wrench.

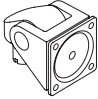


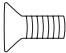
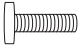

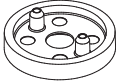
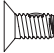


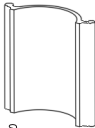
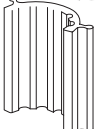
ERGOMART

Ergonomic solutions for office and light industrial work environments

©2023 Ergomart. All rights reserved.

PM40 LCD Pole Mount Parts List

www.ergomart.com | 888 420 3200

ITEM	DESCRIPTION/PART NO.	QUANTITY
A	 Tilter Head	1
B	 PM40 LCD pole mount	1
C	 75x75 and 100/100 mm VESA adapter plate	1
D	 10-32 x 3/8" Phillips Flat Head Screw 702281	1 (4-pack)
E	 M4-12 Phillips Pan Head Screw	4
F	 Bushing	1
H	 Dog Washer	1
I	 10-32 x 3/8" FPhMS with Lock Patch	1
J	 3/16" Allen Wrench	1
K	 Rubber Pad	1
L	 Smooth Insert	1
M	 Ribbed Insert	2

ERGOMART

Ergonomic solutions for office and light industrial work environments

©2023 Ergomart. All rights reserved.