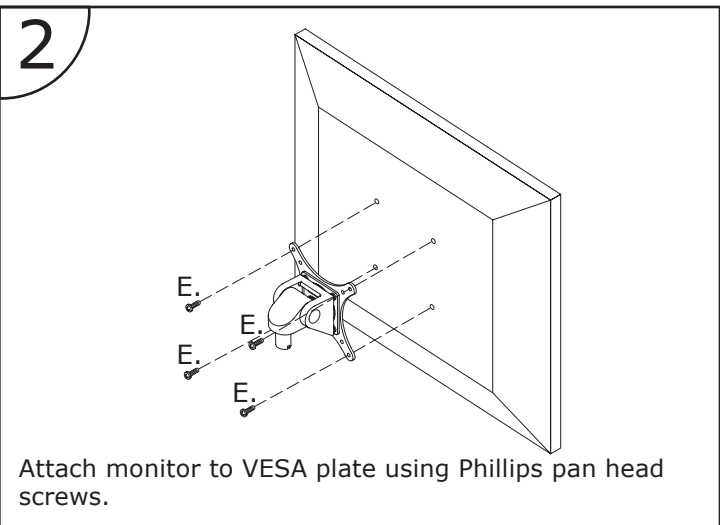
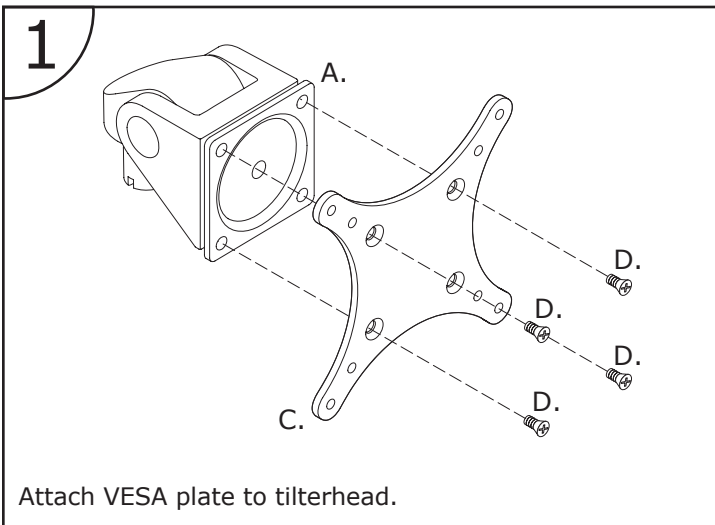


PM42 Dual Back-to-Back LCD Pole Mount Installation Instructions

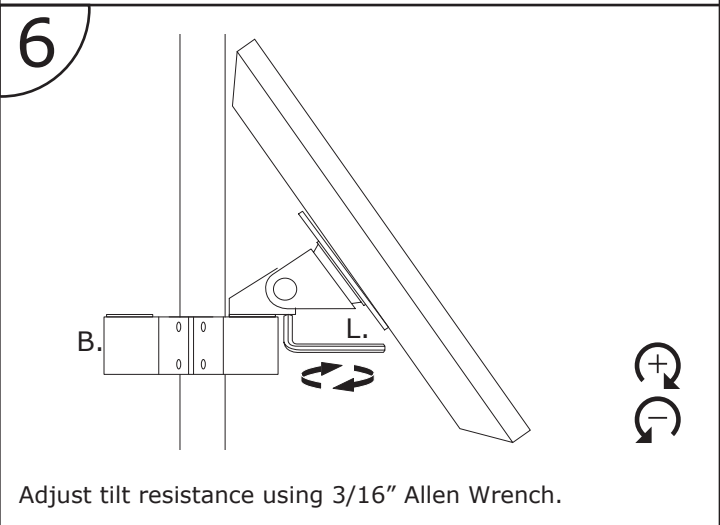
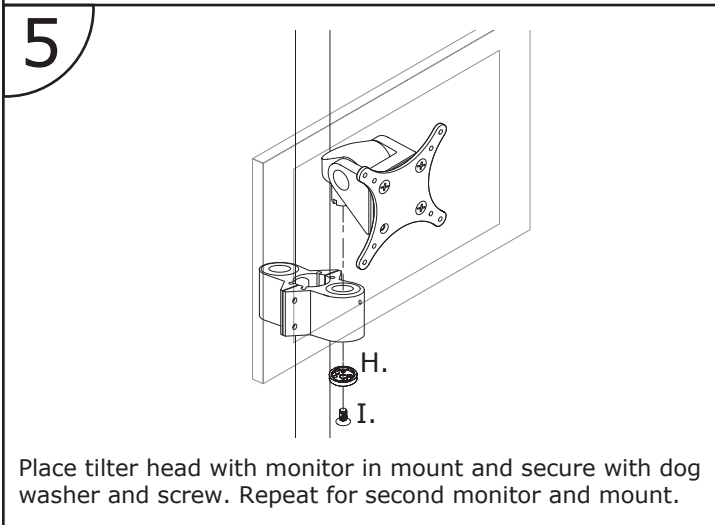
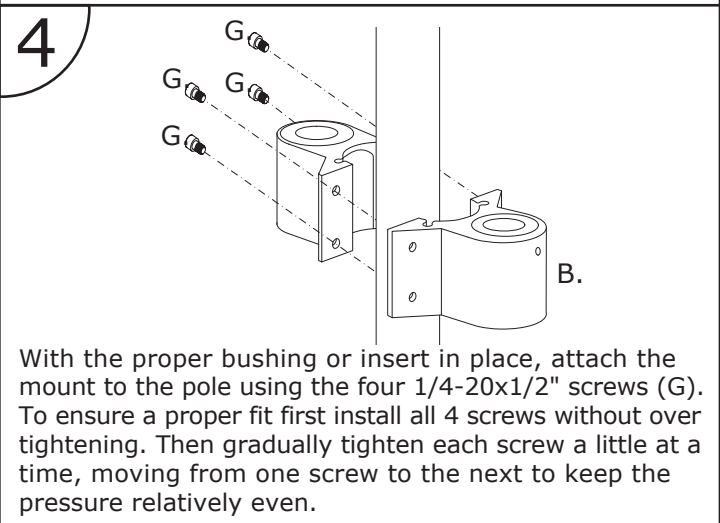
www.ergomart.com | 888 420 3200



3

Nominal Diameter of Pole	Bushing Insert
1.5"	(Insert ribbed)
1.75"	(Insert smooth)
1.9"	Pre-installed Pad
2"	No Bushing Required

Use chart to select proper bushing for the pole's diameter. Mount comes with easy to remove pad insert, ready for 1.9 inch poles and the Ergomart series 192 pole.



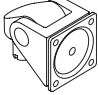


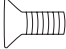
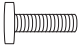



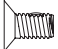



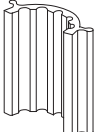
ERGOMART

Ergonomic solutions for office and light industrial work environments

©2015 Ergomart. All rights reserved.

PM42 Dual Back-to-Back LCD Pole Mount Parts List

www.ergomart.com | 888 420 3200

ITEM	DESCRIPTION / PART NO.	QUANTITY
A. 	Tilter Head	1
B. 	PM42 dual pole mount	1
C. 	75x75 and 100/100 mm VESA adapter plate	2
D. 	10-32 x 3/8" Phillips Flat Head Screw 702281	2
E. 	M4-12 Phillips Pan Head Screw	8
F. 	Bushing	4
G. 	1/4-20 x 1/2" Screw	8
H. 	Dog Washer	2
I. 	10-32 x 3/8" FPHMS with Lock Patch	2
J. 	3/16" Allen Wrench	1
K. 	Foam Pad	2
L. 	Smooth Insert	2
M. 	Ribbed Insert	2

ERGOMART

Ergonomic solutions for office and light industrial work environments
©2015 Ergomart. All rights reserved.