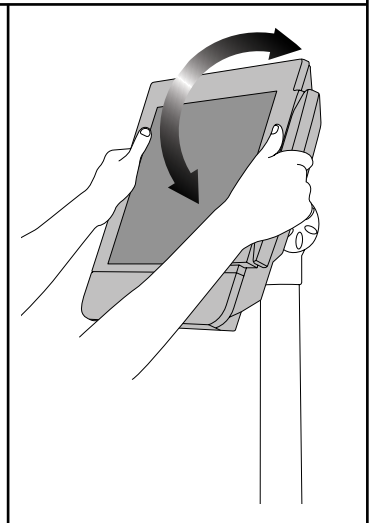
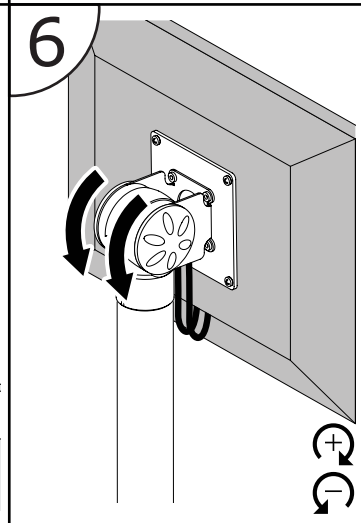
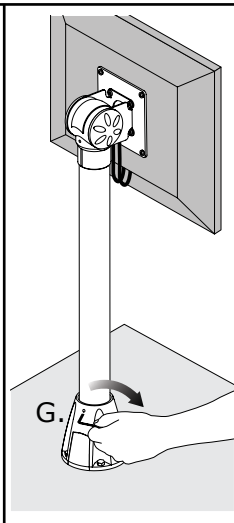
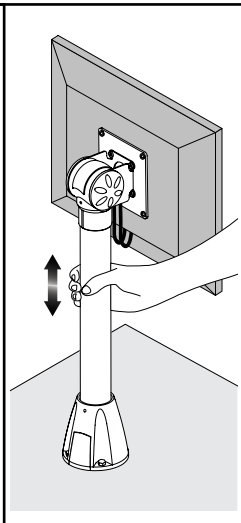
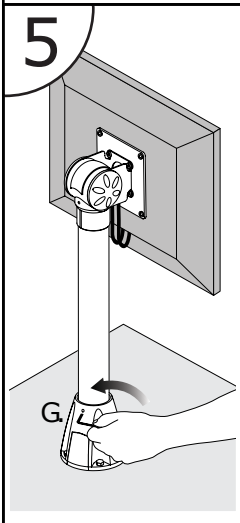
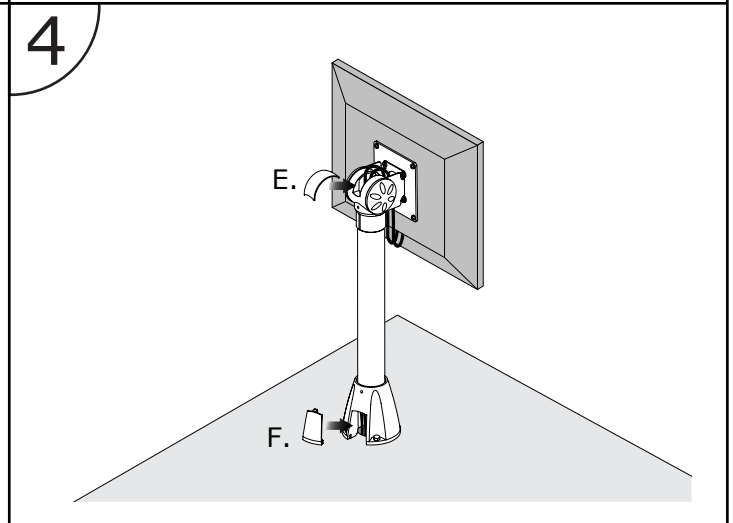
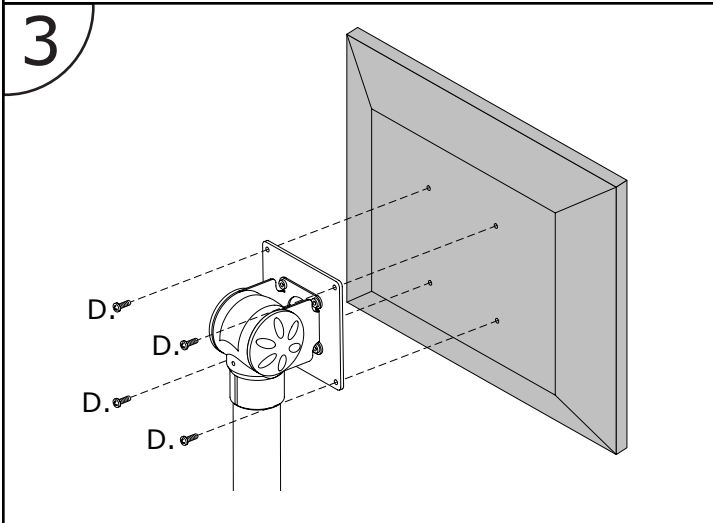
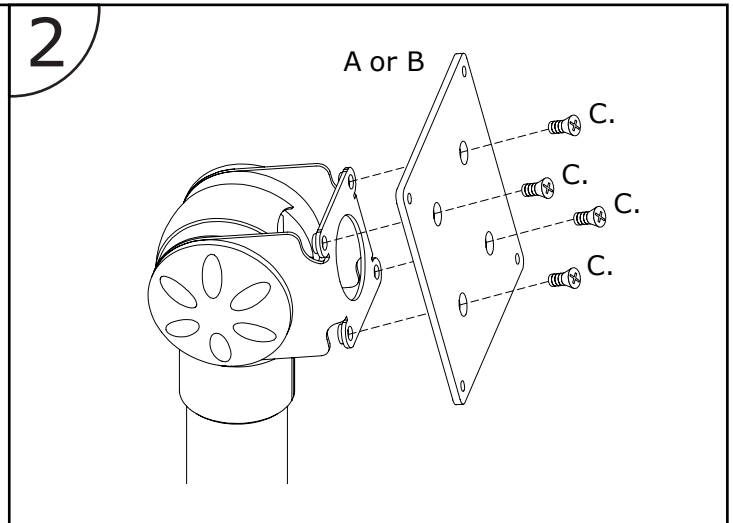
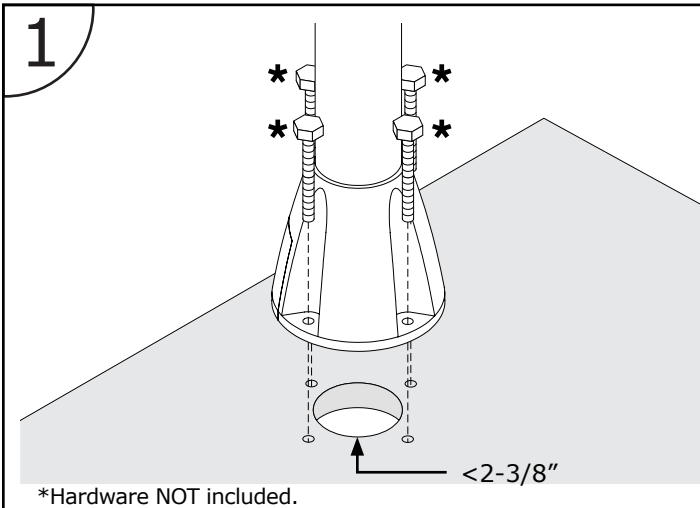


# POS5 Installation Instructions

www.ergomart.com | 888 420 3200



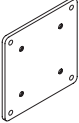
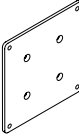
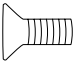
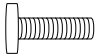



## ERGOMART

Ergonomic solutions for office and light industrial work environments

©2015 Ergomart. All rights reserved.

# POS5 Parts List

www.ergomart.com | 888 420 3200

ITEM	DESCRIPTION / PART NO.	QUANTITY
A. 	75mm VESA Adapter Plate 7VESA75	1
B. 	100mm VESA Adapter Plate 7VESA100	1
C. 	10-32 x 3/8" (9.525mm) Philips Flat Head Screw 701164	4
D. 	M4-12 Philips Pan Head Screw 702096	4
E. 	Tilter Cable Cover 105107-104	1
F. 	Base Cable Cover 105134-104	1
G. 	3/32" (2.388mm) Allen Wrench 700146	1

## **ERGOMART**

Ergonomic solutions for office and light industrial work environments

©2015 Ergomart. All rights reserved.