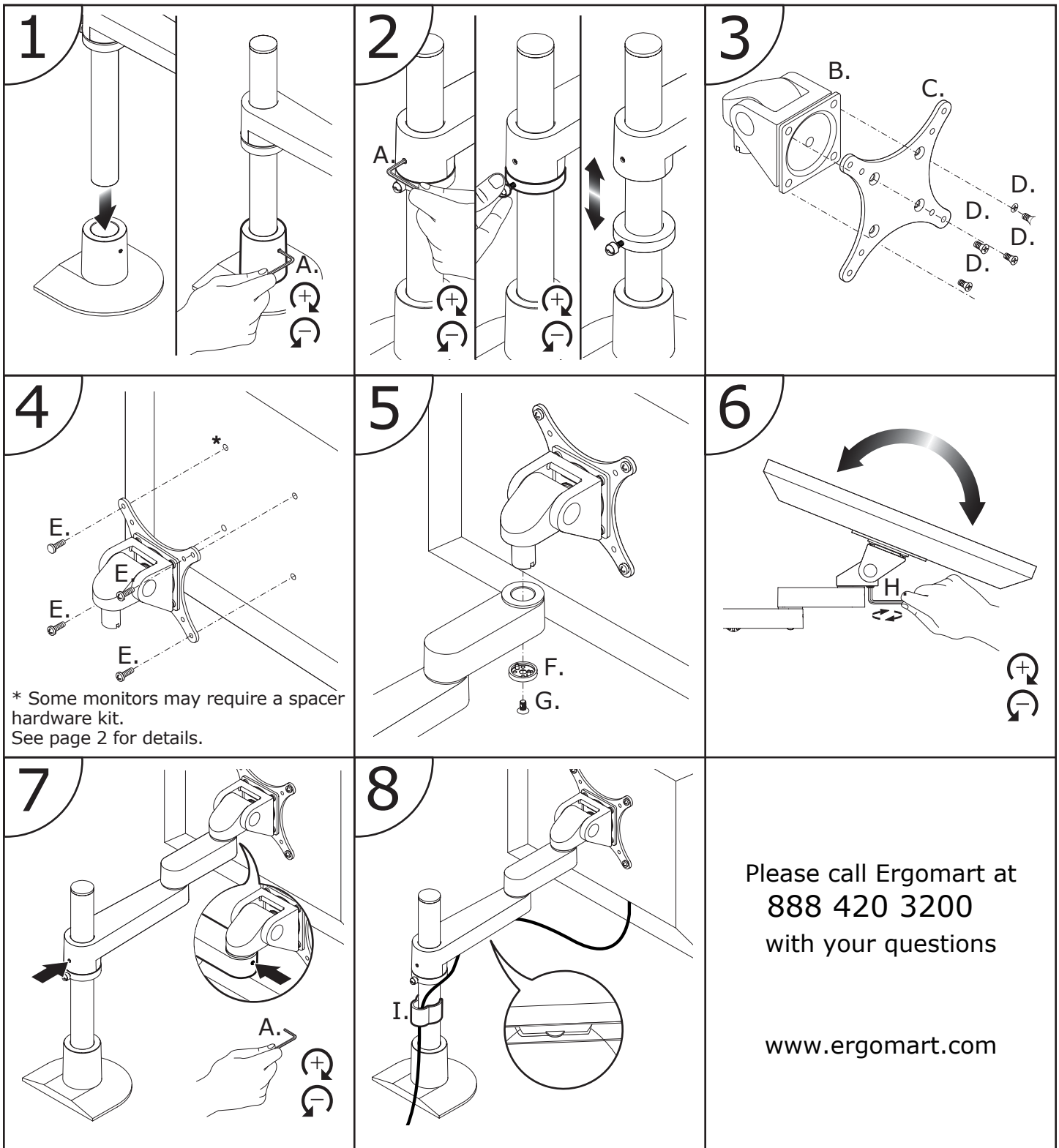


POS9137 and POS9137T Installation Instructions

www.ergomart.com | 888 420 3200




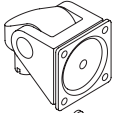
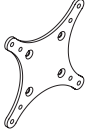

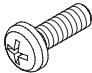


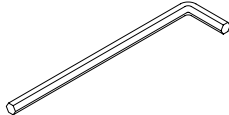
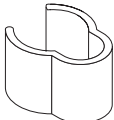
ERGOMART

Ergonomic solutions for office and light industrial work environments

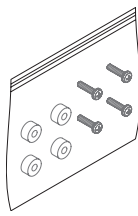
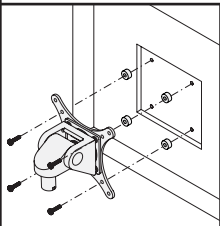
©2017 Ergomart. All rights reserved.

POS9137 and POS9137T Parts List

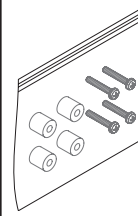
www.ergomart.com | 888 420 3200

ITEM	DESCRIPTION / PART NO.	QUANTITY
A.	 3/32" Allen Wrench 700146	1
B.	 Monitor Tilter 405397	1
C.	 75/100mm VESA® Adapter Plate 105587	1
D.	 10-32 x 3/8" Phillips Flat Head Screw 702281	1 (4 pack)
E.	 M4 x 12mm Phillips Pan Head Screw 702096	1(4 pack)
F.	 Dog Washer 105189	1
G.	 10-32 x 3/8" FPhMS w/lock Patch 705198	1
H.	 7/32" Allen Wrench 701127	1
I.	 Cable Clip 104533	1

OPTIONAL SPACER KITS: In some cases, the mounting surface on your monitor may be recessed further than permitted by VESA® standards. As a result, a spacer kit may be required.



.25" Spacer Hardware Kit
(4) .25" Spacers
(4) M4 x 18mm Phillips
Pan Head Screws
Order # P404923-B



.5" Spacer Hardware Kit
(4) .5" Spacers
(4) M4 x 25mm Phillips
Pan Head Screws
Order # P404923-C

ERGOMART

Ergonomic solutions for office and light industrial work environments

©2017 Ergomart. All rights reserved.