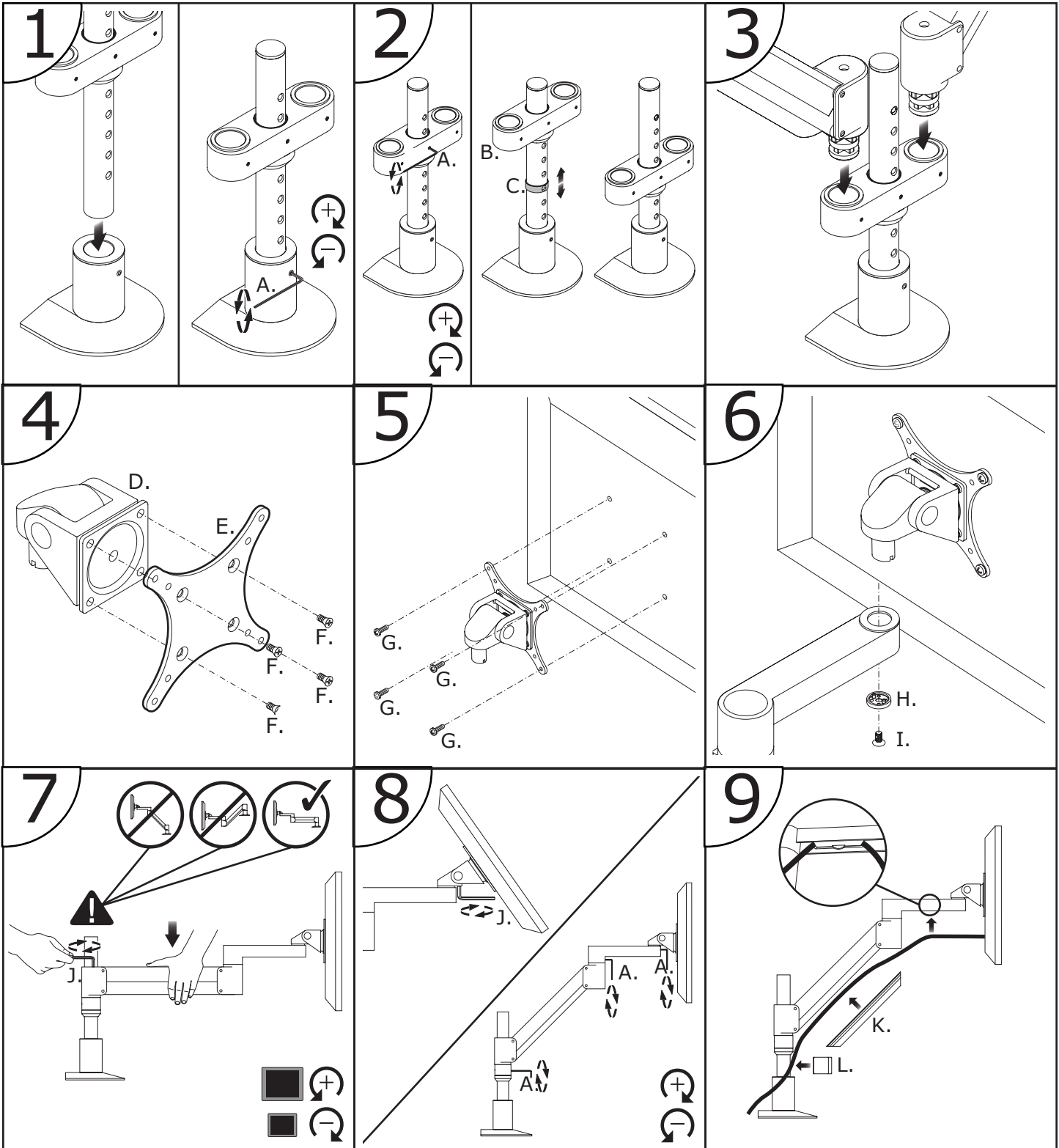


SA2A Dual and SA4A Quad Installation Instructions

www.ergomart.com | 888 420 3200




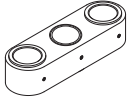

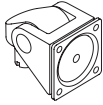

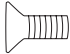
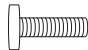
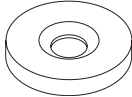
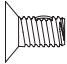


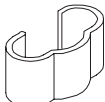
ERGOMART

Ergonomic solutions for office and light industrial work environments

©2015 Ergomart. All rights reserved.

SA2A Dual and SA4A Quad Parts List

www.ergomart.com | 888 420 3200

ITEM	DESCRIPTION / PART NO.	QUANTITY	
		SA2A	SA4A
A. 	3/32" (2.388mm) Allen Wrench	1	1
B. 	Dual Arm Mount Bracket	1	2
C. 	Pole Snap Inside Grip	1	1
D. 	Sloped Tilter	2	4
E. 	75mm VESA Adapter Plate	2	4
F. 	10-32 x 3/8" (9.525mm) Philips Flat Head Screw	8	16
G. 	M4-12 Philips Pan Head Screw	8	16
H. 	Dog Washer	2	4
I. 	10-32 x 3/8" (9.525mm) Screw with Lock Patch	2	4
J. 	7/32" (5.563mm) Allen Wrench	1	1
K. 	Cable Cap	2	4
L. 	Double Cable Clip	1	2

ERGOMART

Ergonomic solutions for office and light industrial work environments

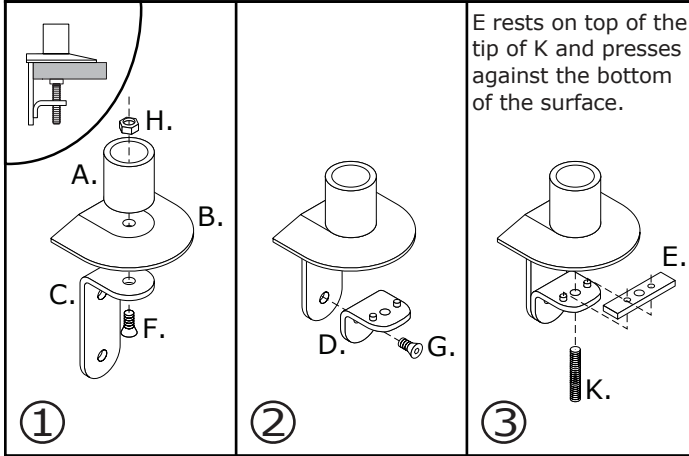
©2015 Ergomart. All rights reserved.

FLEXIBLE MOUNT KIT

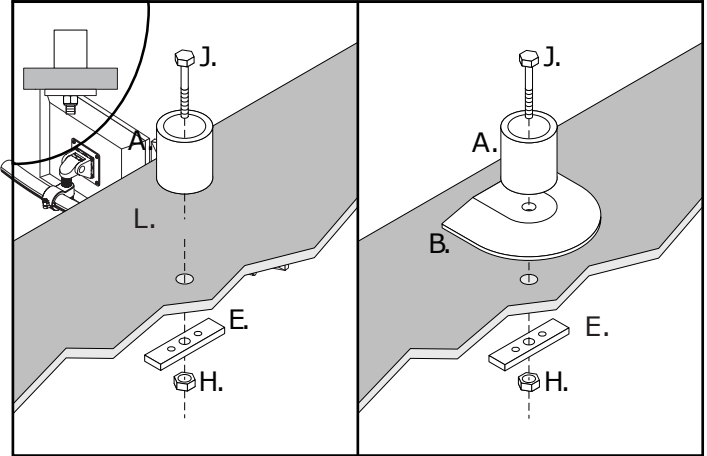
Installation Instructions

www.ergomart.com | 888 420 3200

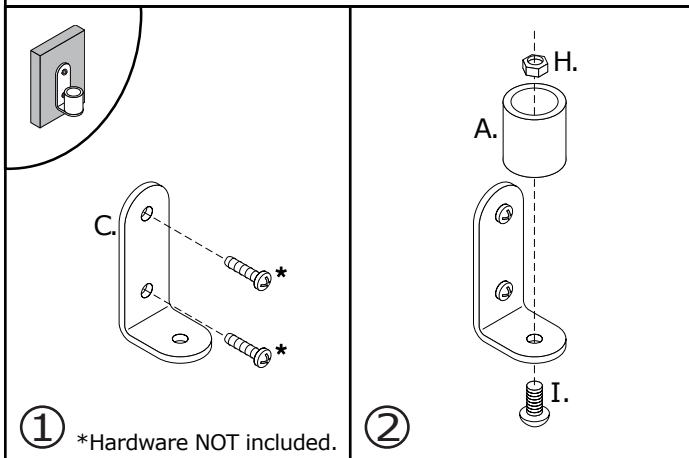
Desk Clamp



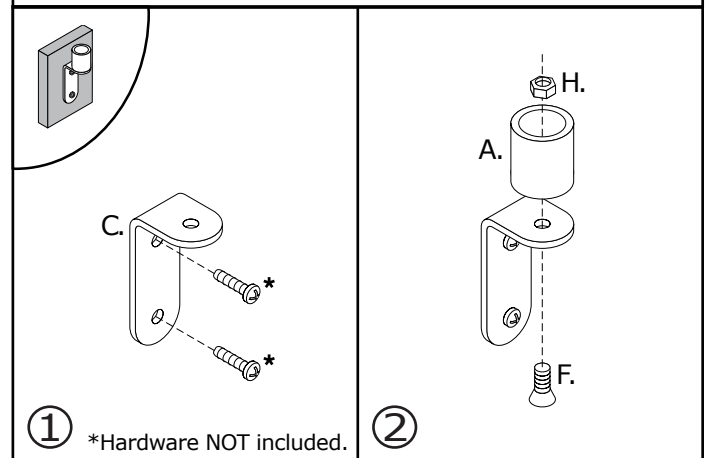
Thru-Desk



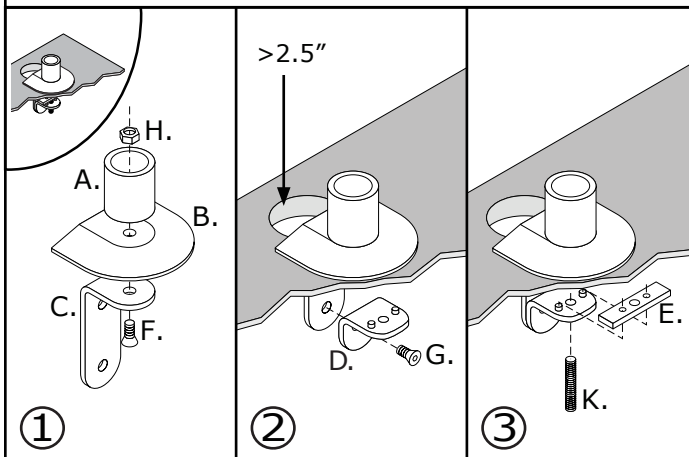
Wall Mount



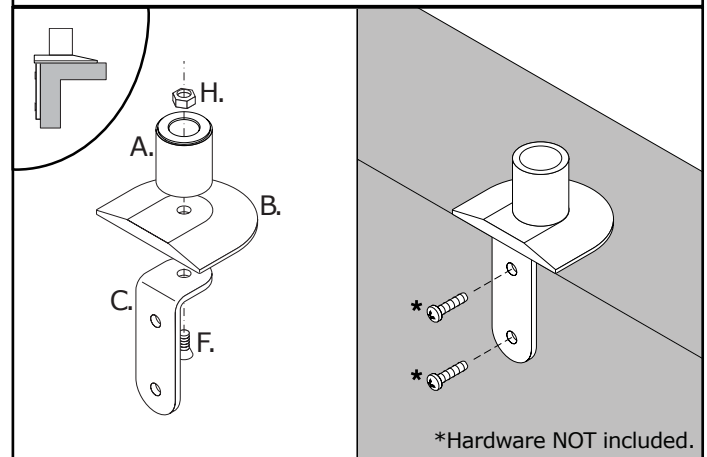
Reverse Wall Mount



Grommet Hole



Side Bolt



ERGOMART

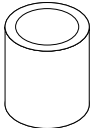
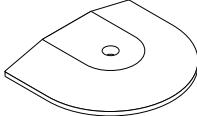
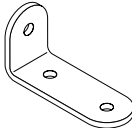
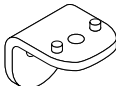
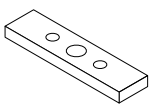
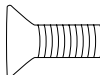
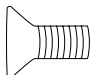

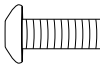
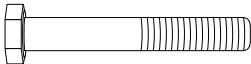
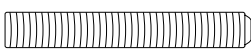

Ergonomic solutions for office and light industrial work environments

©2015 Ergomart. All rights reserved.

FLEXIBLE MOUNT KIT

Parts List

www.ergomart.com | 888 420 3200

ITEM	DESCRIPTION / PART NO.	QUANTITY
A. 	Column 401328, 8269	1
B. 	Base Plate 401417, 8321	1
C. 	Large "L" Bracket 701117, 702828	1
D. 	Small "L" Bracket 1 701116	1
E. 	3" (76.2mm) x 3/4" (19.05mm) x 1/4" (6.35mm) Rectangular Spacer 701544	1
F. 	3/8-16 x 1" (25.4mm) Flat Socket Cap Screw 701124, 701855	1
G. 	3/8-16 x 7/8" (22.225mm) Flat Socket Cap Screw 701799	1
H. 	3/8-16 Nylon Stop Nut 701418	1
I. 	3/8-16 x 7/8" (22.225mm) Button Socket Cap Screw 701122	1
J. 	3/8-16 x 2-1/2" (63.5mm) Hex Head Bolt 700268	1
K. 	1/2-13 x 3" (76.2mm) Socket Set Screw 701126	1
L. 	Foam Pad (Included with Model 7000 only) 701120	1

ERGOMART

Ergonomic solutions for office and light industrial work environments

©2015 Ergomart. All rights reserved.