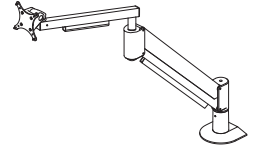
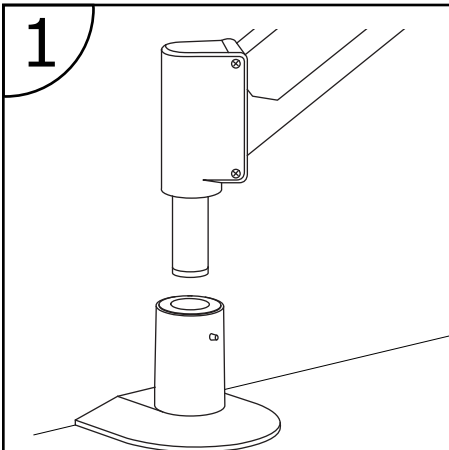


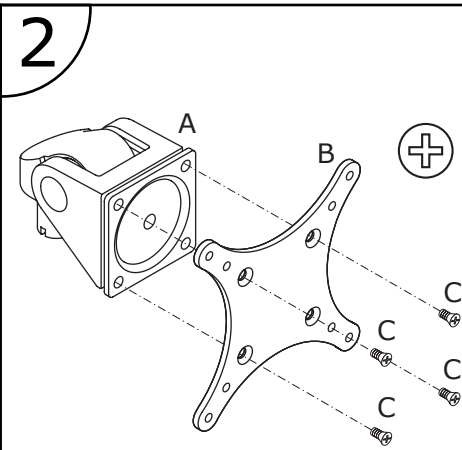
SAA4229 MONITOR ARM Installation Instructions



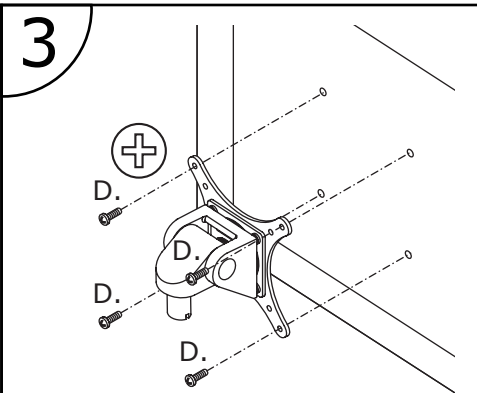
www.ergomart.com | 888 420 3200



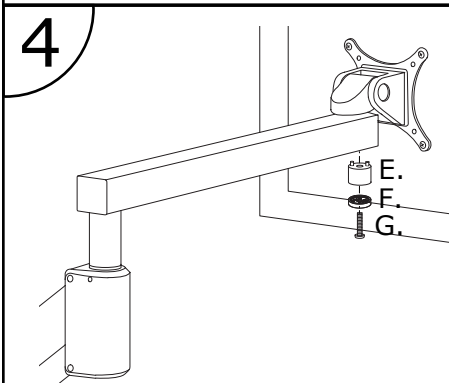
1
Insert arm pin into completely attached and assembled mount.



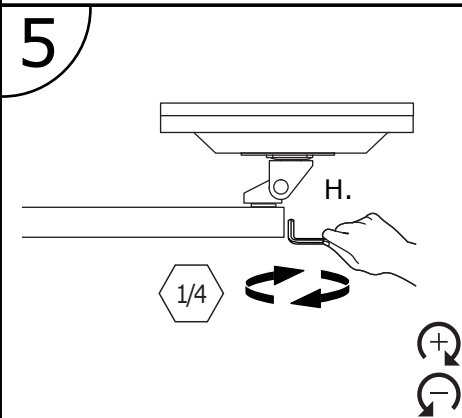
2
Attach correct VESA plate to tilter head.



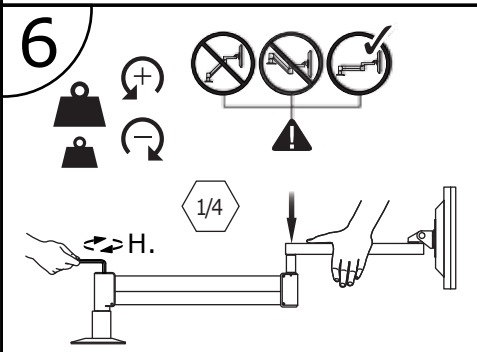
3
Attach tilter head/VESA plate to Monitor.
* Some monitors may require a spacer hardware kit. See page 3 for details.



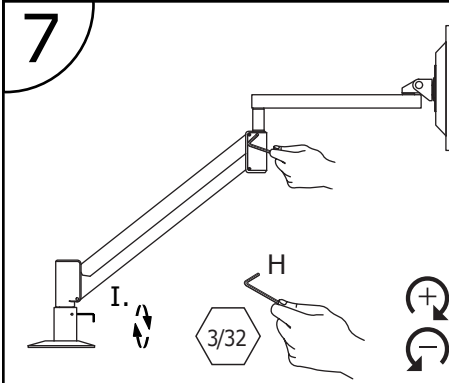
4
Tighten screw (G) to increase rotational resistance.



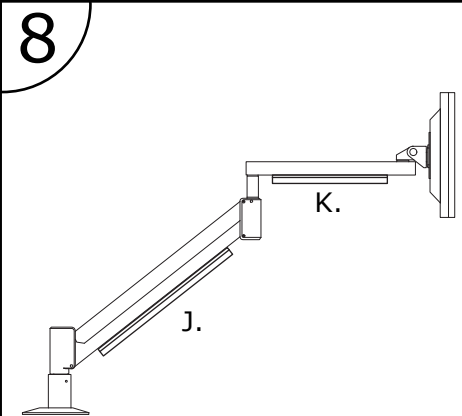
5
Adjust vertical tilt resistance on tilter head.



6
Put arm in horizontal position and rotate wrench CLOCKWISE to WEAKEN arm until monitor stays wherever it is placed. See page 2 for more detailed instructions.



7
Increase resistance to rotation at articulation points by tightening small set screws.
DO NOT OVERTIGHTEN.



8
Use adhesive sides to fasten wire managers.

Please call Ergomart at
888 420 3200
with your questions

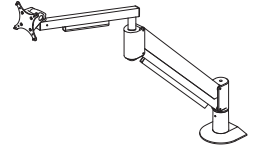
www.ergomart.com

ERGOMART

Ergonomic solutions for office and light industrial work environments

©2016 Ergomart. All rights reserved.

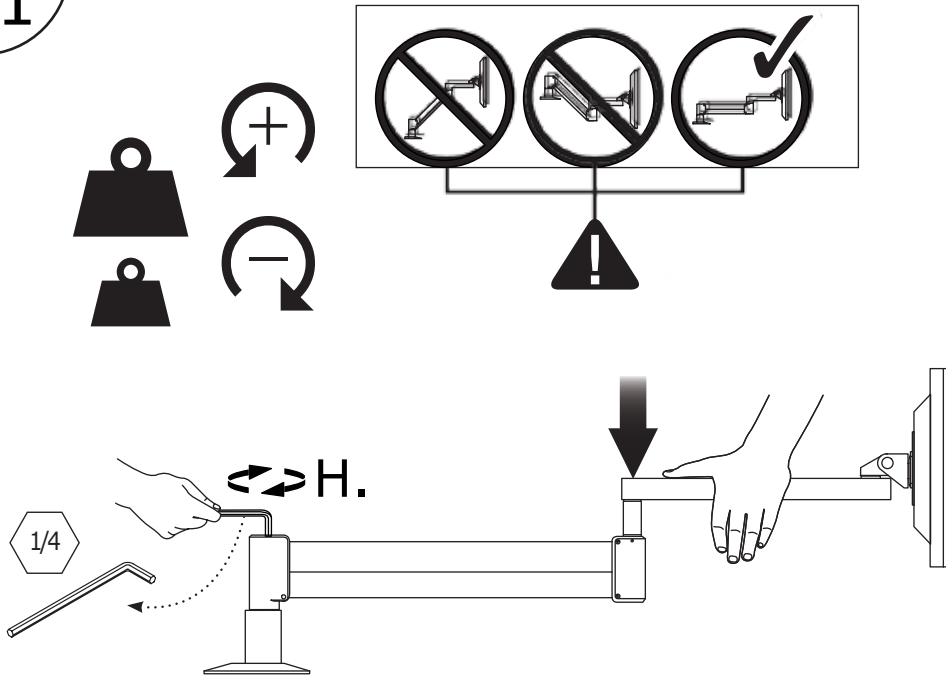
SAA4229 MONITOR ARM Installation Instructions



www.ergomart.com | 888 420 3200

How do I counterbalance my arm?

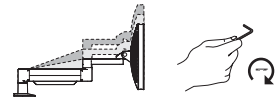
1



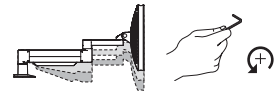
IMPORTANT!

- Monitor must be on arm
- Arm must be in mount

Press the arm down to approximately parallel with the desk prior to turning the strength adjustment screw.



If the arm drifts upward, turn the adjustment screw clockwise.



If the arm drifts downward, turn the adjustment screw counter-clockwise.

Depending on the weight of your monitor, **you may have to make 15-20 turns.**

Please call Ergomart at
888 420 3200
with your questions

www.ergomart.com

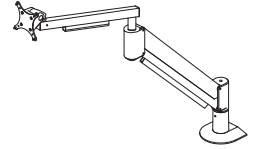
ERGOMART

Ergonomic solutions for office and light industrial work environments

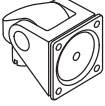








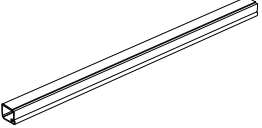

©2016 Ergomart. All rights reserved.

SAA4229 MONITOR ARM

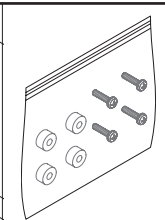
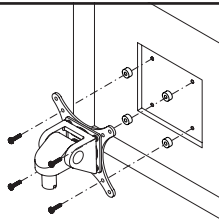
Parts List



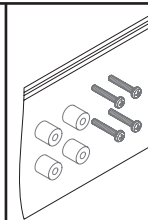
www.ergomart.com | 888 420 3200

ITEM	DESCRIPTION / PART NO.	QUANTITY
A. 	Monitor Tilter	1
B. 	75/100mm VESA® Adapter Plate	1
C. 	10-32 x 3/8" Phillips Flat Head Screw	1 (4-pack)
D. 	M4 x 12mm Phillips Pan Head Screw	1 (4-pack)
E. 	Tilter Head Pin Spacer	1
F. 	Dog Washer	1
G. 	10-32 x 1" Phillips Flat Head Screw	1
H. 	1/4" Allen Wrench	1
I. 	3/32" Allen Wrench	1
J. 	16" Cable Cover	1
K. 	8" Cable Cover	1

OPTIONAL SPACER KITS: In some cases, the mounting surface on your monitor may be recessed further than permitted by VESA® standards. As a result, a spacer kit may be required.



.25" Spacer Hardware Kit
 (4) .25" Spacers
 (4) M4 x 18mm Phillips Pan Head Screws
 Order # SPKT-1/4



.5" Spacer Hardware Kit
 (4) .5" Spacers
 (4) M4 x 25mm Phillips Pan Head Screws
 Order # SPKT-1/2

ERGOMART

Ergonomic solutions for office and light industrial work environments

©2016 Ergomart. All rights reserved.