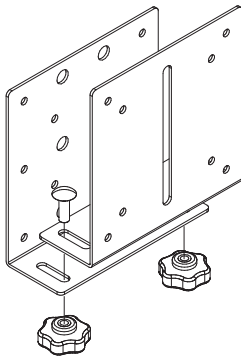


Thin Client Installation Instructions

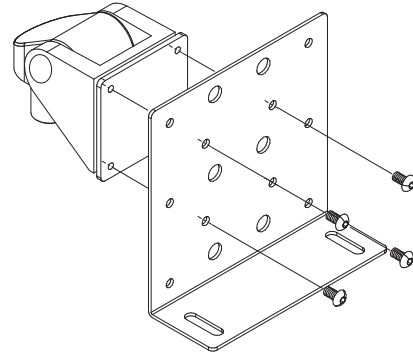
www.ergomart.com | 888 420 3200

1



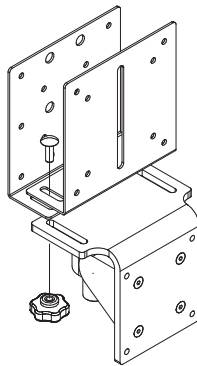
Use the fasteners to secure the front plate of the Thin Client holder to the back plate. In many cases the back plate may need to be mounted prior to attaching the face plate, using one of the following methods.

2



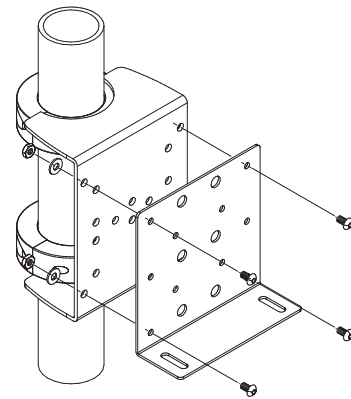
The back plate can be mounted directly to a vertical surface (using fasteners provided by customer) or, as pictured, the back plate can be attached directly to the tilter head. Attach face plate as in Box 1.

3



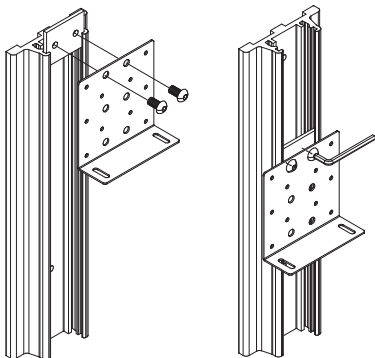
When using the tilter offset bracket, first attach the bracket to the tilter head. Then, use the thin client fasteners to fix the thin client plates to each other, and the bracket.

4



To pole mount, attach the backplate to the universal mounting bracket, using provided fasteners. Then attach the front plate as in BOX 1.

5



To track mount, thread the bolts through the backplate and into the slider plate a few threads. Once in preferred position, level the plate and tighten the bolts to secure the plate to the track. Attach the front plate as in BOX 1.

Please call Ergomart at
888 420 3200
with your questions

www.ergomart.com

ERGOMART

Ergonomic solutions for office and light industrial work environments

©2015 Ergomart. All rights reserved.