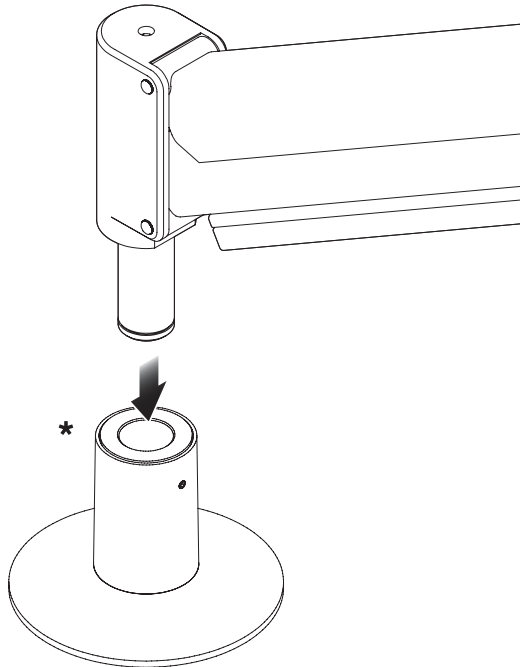


TRS2818 Installation Instructions

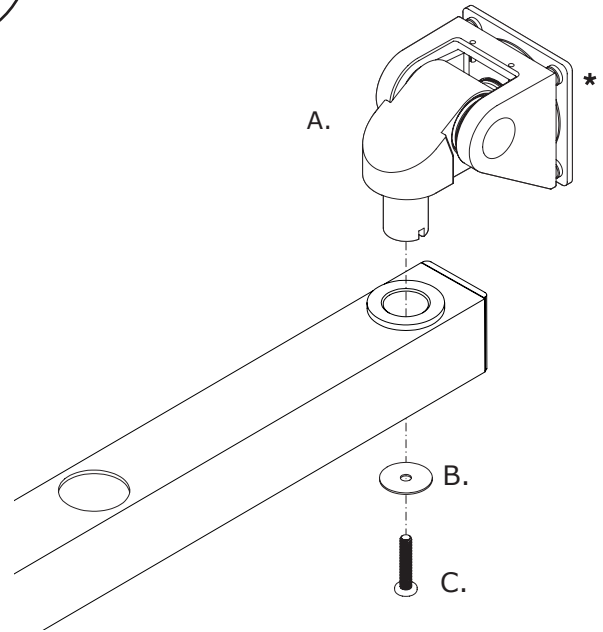
www.ergomart.com | 888 420 3200

1



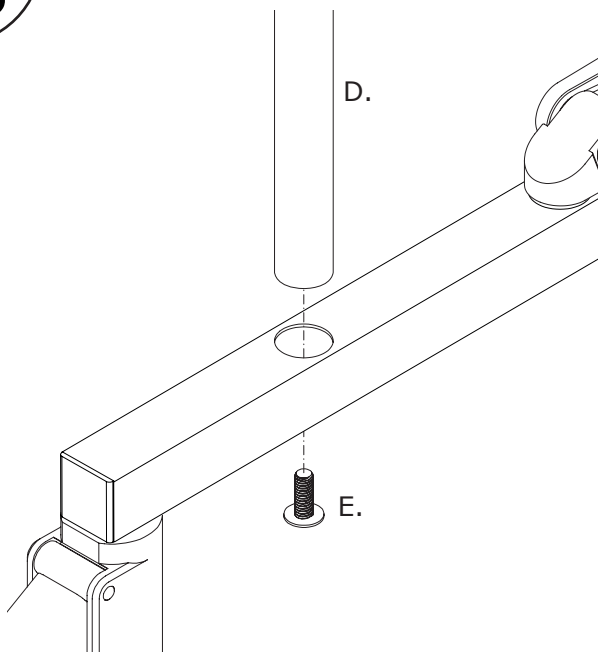
* Mount not included.

2

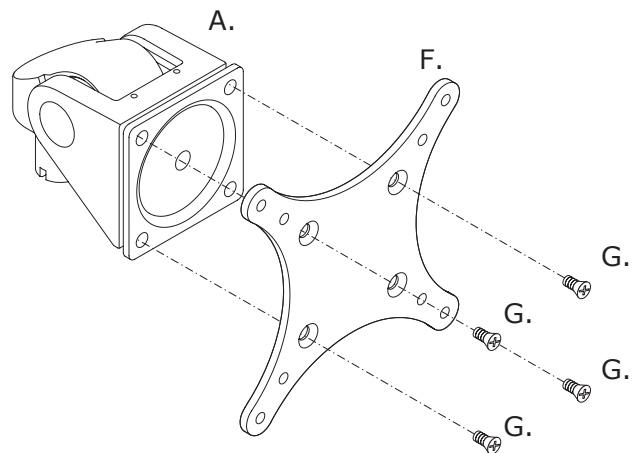


* Mount not included.

3



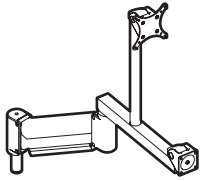
4



ERGOMART

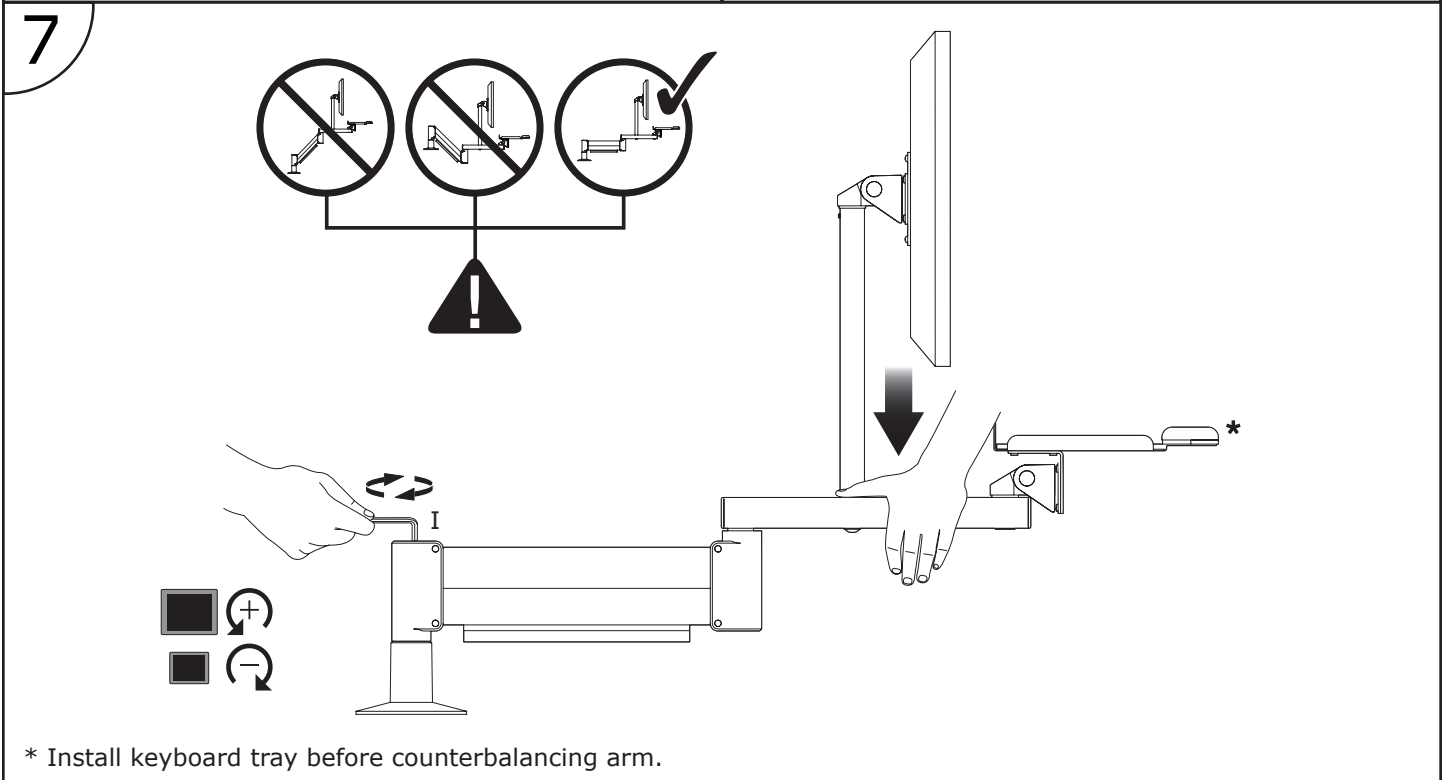
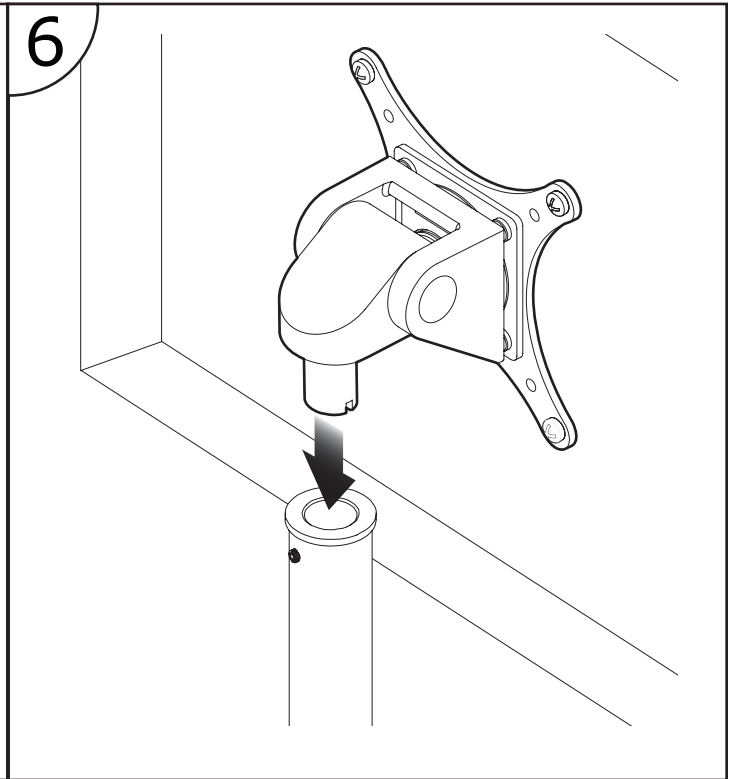
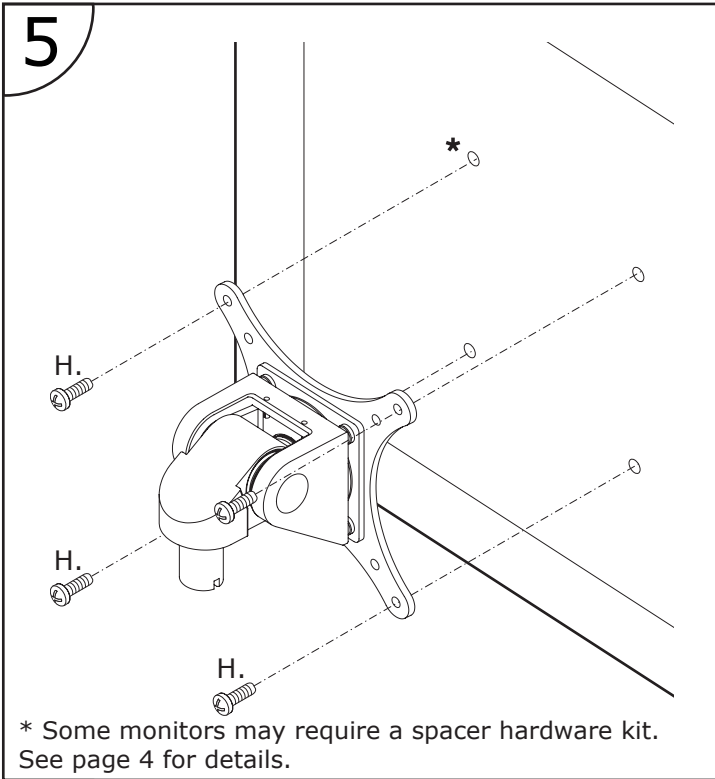
Ergonomic solutions for office and light industrial work environments

©2015 Ergomart. All rights reserved.



TRS2818 Installation Instructions

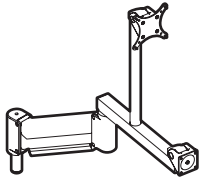
www.ergomart.com | 888 420 3200



ERGOMART

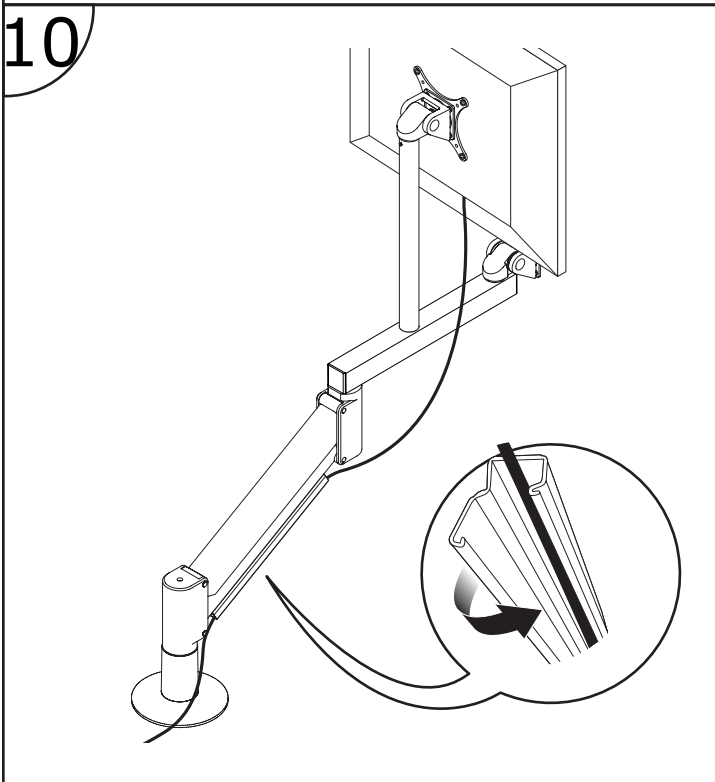
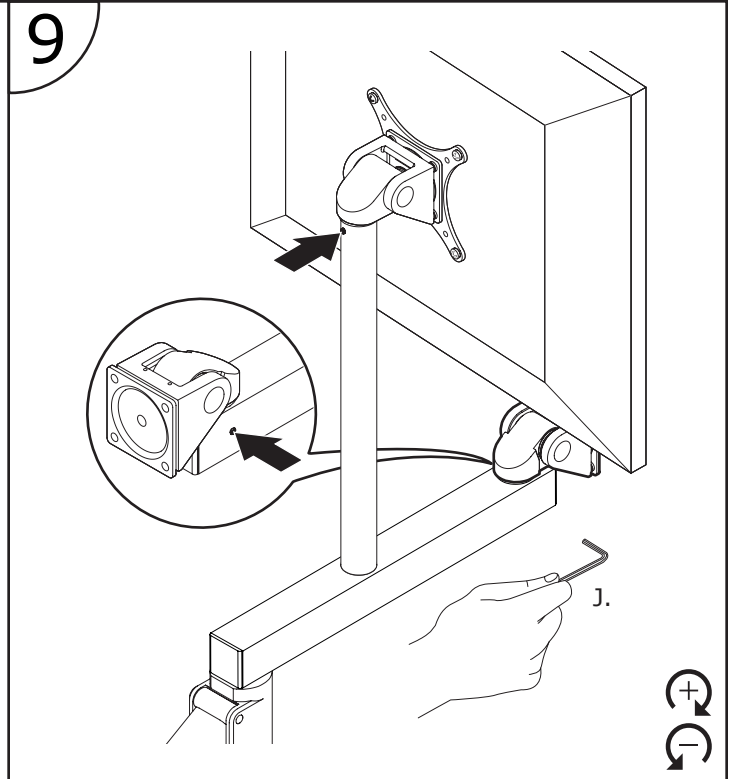
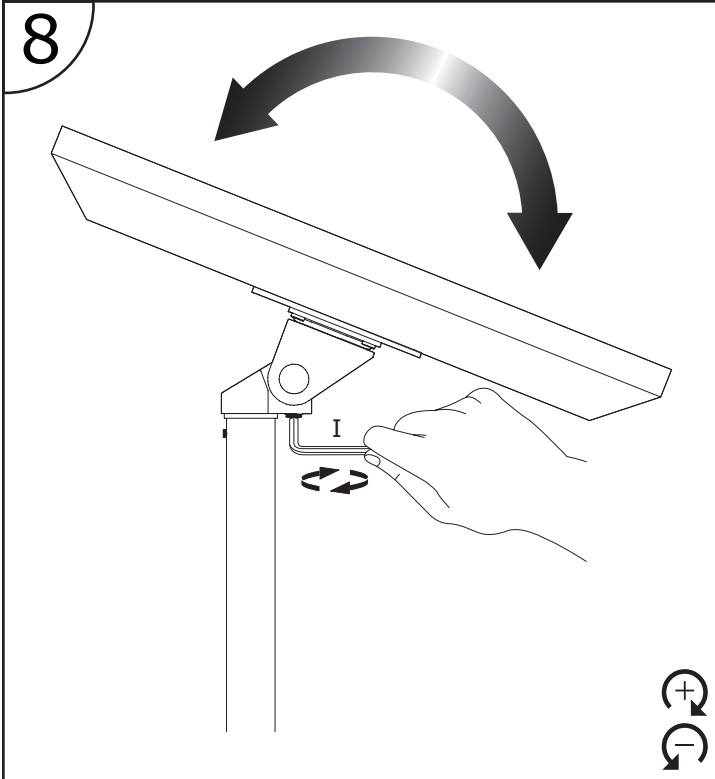
Ergonomic solutions for office and light industrial work environments

©2015 Ergomart. All rights reserved.



TRS2818 Installation Instructions

www.ergomart.com | 888 420 3200



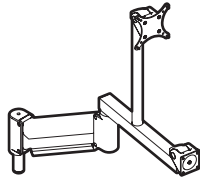
Please call Ergomart at
888 420 3200
with your questions

www.ergomart.com

ERGOMART

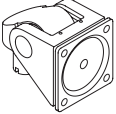
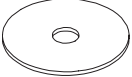
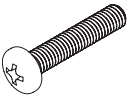
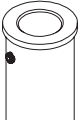

Ergonomic solutions for office and light industrial work environments



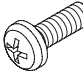
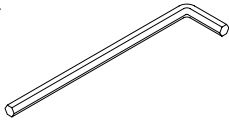

©2015 Ergomart. All rights reserved.



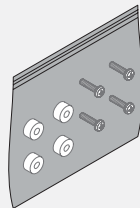
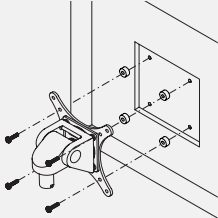
TRS2818 Installation Instructions

www.ergomart.com | 888 420 3200

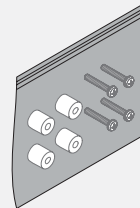
ITEM	DESCRIPTION / PART NO.	QUANTITY
A	 Spring-Assisted Tilter 407747	2
B	 Washer 704197	1
C	 10-32 x 1" PhMS 706710	1
D	 Forearm Tube 409336	1
E	 3/8-16 x 1" Flanged BHS 709332	1

ITEM	DESCRIPTION / PART NO.	QUANTITY
F	 10-32 x 3/8" Phillips Flat Head Screw 702281	1 (4-pack)
G	 75/100mm VESA Adapter Plate 105587	1
H	 M4 x 12mm Phillips Pan Head Screw 702096	1 (4-pack)
I	 7/32" Allen Wrench 701127	1
J	 3/32" Allen Wrench 700146	1

OPTIONAL SPACER KITS In some cases, the mounting surface on your monitor may be recessed further than permitted by VESA® standards. As a result, a spacer kit may be required.



.25" Spacer Hardware Kit
(4) .25" Spacers
(4) M4 x 18mm Phillips Pan Head
Screws Order # P404923-B



.5" Spacer Hardware Kit
(4) .5" Spacers
(4) M4 x 25mm Phillips Pan Head
Screws Order # P404923-C

This product is protected by one or more of the following U.S. Patent Nos., and other United States and foreign patents applied for: 119,345, 119,346, 1,324,842, 2,470,525, 6,076,785, 6,273,383, 6,409,134, 6,478,274, 6,499,704, 6,505,988, 6,609,691, 6,19,606, 6,719,253, 6,726,167, 6,736,364, 6,783,105, 6,854,698, 6,915,994, 6,935,883, 6,955,328, 6,983,917, 6,986,489, 7,014,157, 7,017,874, 7,048,242, 7,059,574, 7,063,296, 7,066,433, 7,066,435, 7,389,965, D435,852, D491,952, D492,893, D570,853, D575,293

ERGOMART

Ergonomic solutions for office and light industrial work environments

©2015 Ergomart. All rights reserved.