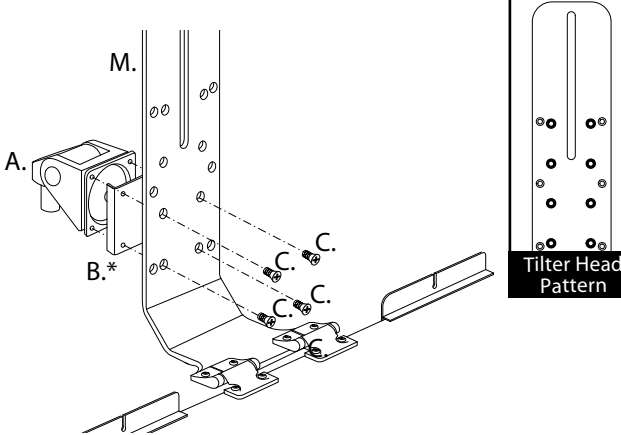


TRS91HD BB103 Installation Instructions

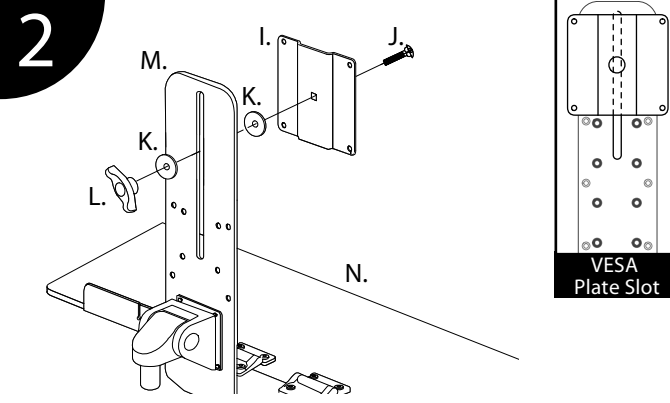
www.ergomart.com | 888 420 3200

1



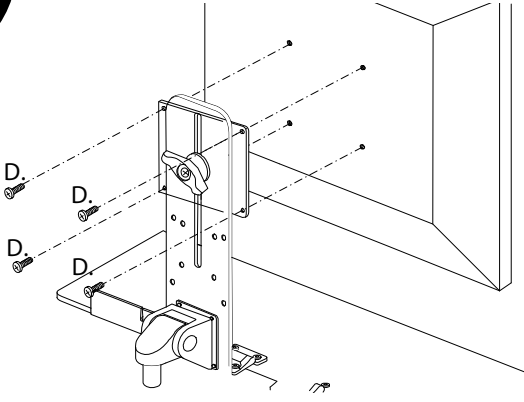
*B is optional
Attach tilter head to backbar (P)

2



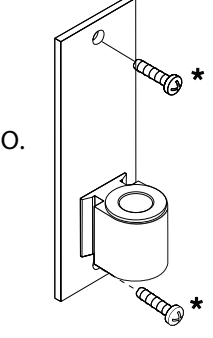
Using the carriage bolt and the plastic knob, fasten the VESA plate to backbar. Position a 1.25" plastic washer on each side of the backbar.

3



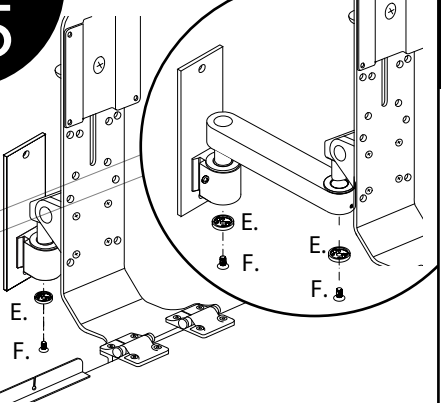
Attach slider VESA plate to LCD with screws (D.)

4



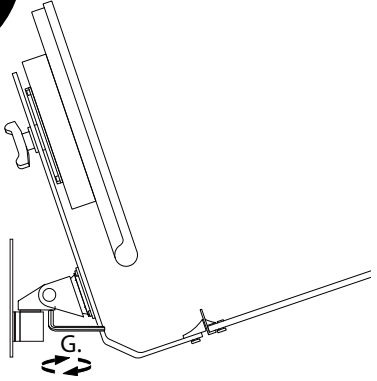
* Hardware NOT included.
The installer must determine exactly what fastener is appropriate for your particular application. If uncertain about mounting procedures contact Ergomart for technical assistance.

5



Slide tilter pin into the wall mount and secure with dog washer (E&F)

6



Increase resistance to tilt by adjusting set screw at the point of articulation using wrench (G.)

Please call Ergomart at
888 420 3200
with your questions

www.ergomart.com

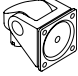
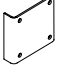

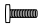




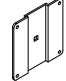



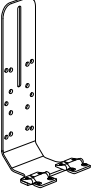
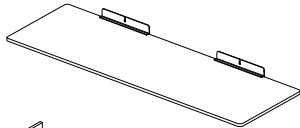
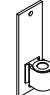
ERGOMART

Ergonomic solutions for office and light industrial work environments

©2013 Ergomart. All rights reserved.

TRS91HD BB103 Parts List

www.ergomart.com | 888 420 3200

ITEM	DESCRIPTION / PART NO.	QUANTITY
A. 	Sloped Tilter 405397	1
B. 	Rotation Prevention Bracket (Optional) 702949	1
C. 	10-32 x 3/8" (9.525mm) Phillips Flat Head Screw 702281	1 (4-pack)
D. 	M4-12 Phillips Pan Head Screw 702096	4
E. 	Dog Washer 105189	1
F. 	10-32 x 3/8" (9.525mm) FPhMS with Lock Patch 705198	1
G. 	7/32" Allen Wrench	1
H. 	3/32" (2.388mm) Allen Wrench 700146	1
I. 	VESA Slider Plate (Sold separately; size specified by customer.)	1
J. 	Carriage Bolt 5/16-18 x 1	1
K. 	1.25" Plastic Slider Plate Washer	2
L. 	Plastic Knob 5/16-18	1
M. 	BB103- Back Bar	1
N. 	Phenolic Tray (Size and Depth Specified by Customer)	1
O. 	Wallmount Tall 9110T	1

ERGOMART

Ergonomic solutions for office and light industrial work environments

©2013 Ergomart. All rights reserved.