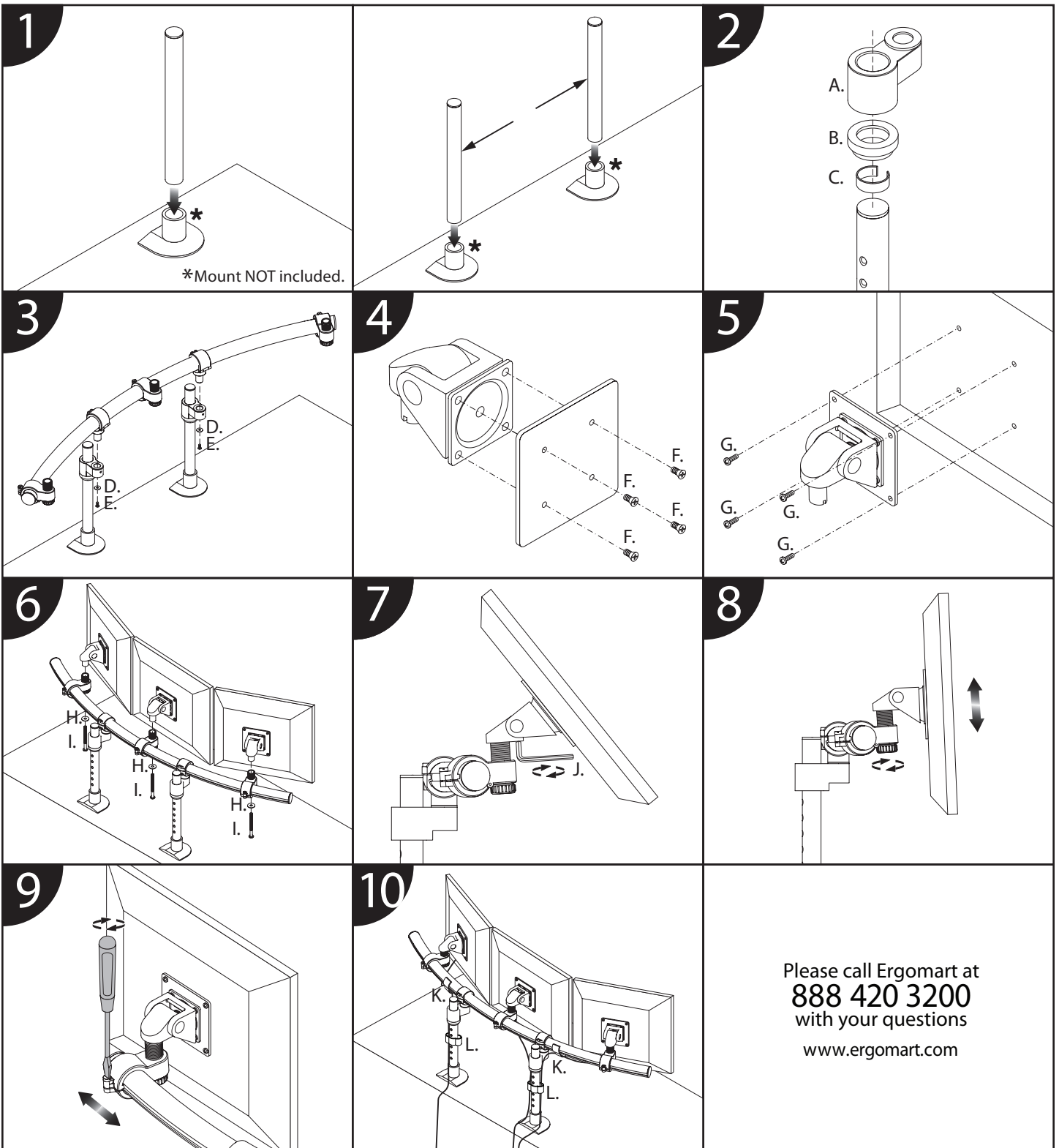


AM3-2P Triple LCD Mount Installation Instructions

www.ergomart.com | 888 420 3200



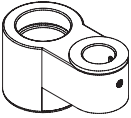
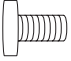
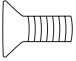
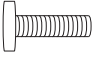
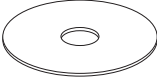
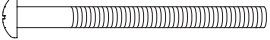

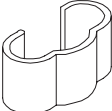
Please call Ergomart at
888 420 3200
with your questions
www.ergomart.com

ERGOMART

Ergonomic solutions for office and light industrial work environments

AM3-2P Triple LCD Mount Parts List

www.ergomart.com | 888 420 3200

ITEM	DESCRIPTION / PART NO.	QUANTITY
A.	 Short Arm 407557	1
B.	 Pole Snap Outer 105197	1
C.	 Pole Snap Inner DX4450	1
D.	 Short Arm Washer 704197	2
E.	 10-32 x 3/8" (9.525mm) Phillips Pan Head Screw 700115	2
F.	 10-32 x 3/8" (9.525mm) Phillips Flat Head Screw 702281	12
G.	 M4-12 Phillips Pan Head Screw 702096	12
H.	 ArcView Tilter Washer 105823	3
I.	 Pan Head Tension Screw 105822	3
J.	 7/32" (5.563mm) Allen Wrench 701127	1
K.	 Cable Clip 105445	2
L.	 Double Cable Clip 702506	2

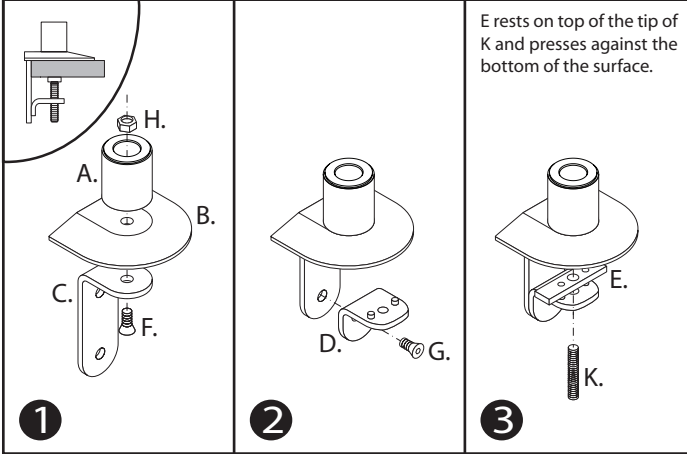
ERGOMART

Ergonomic solutions for office and light industrial work environments

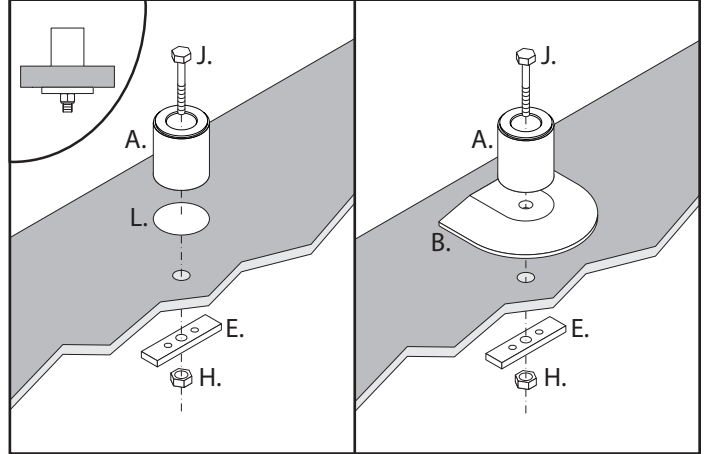
FLEXIBLE MOUNT KIT Installation Instructions

www.ergomart.com | 888 420 3200

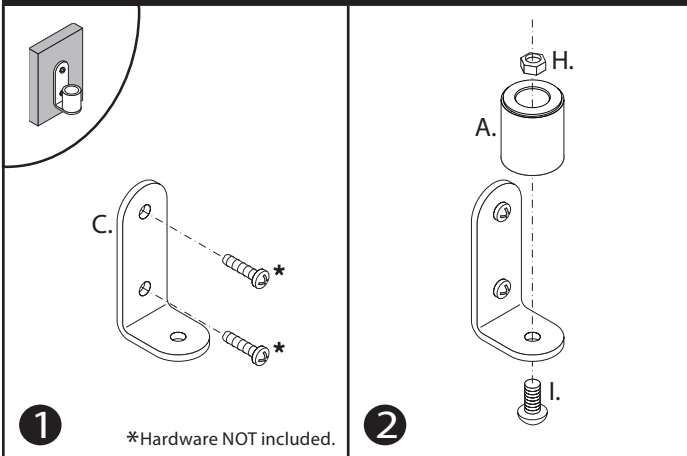
Desk Clamp



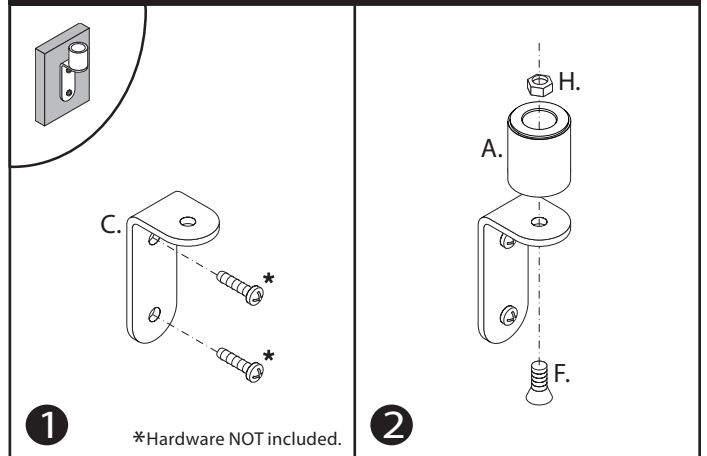
Thru-Desk



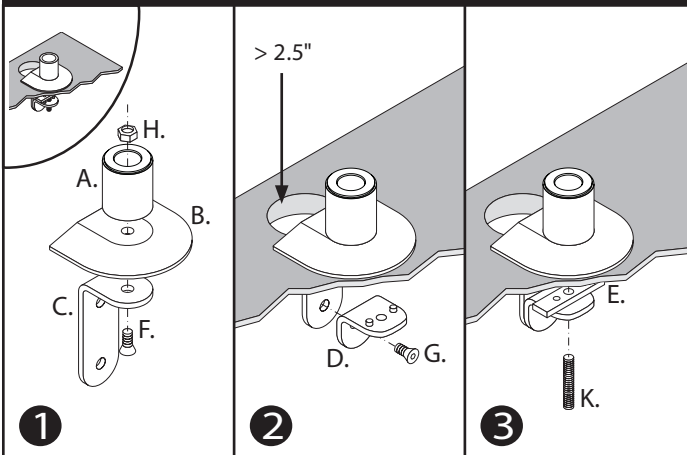
Wall Mount



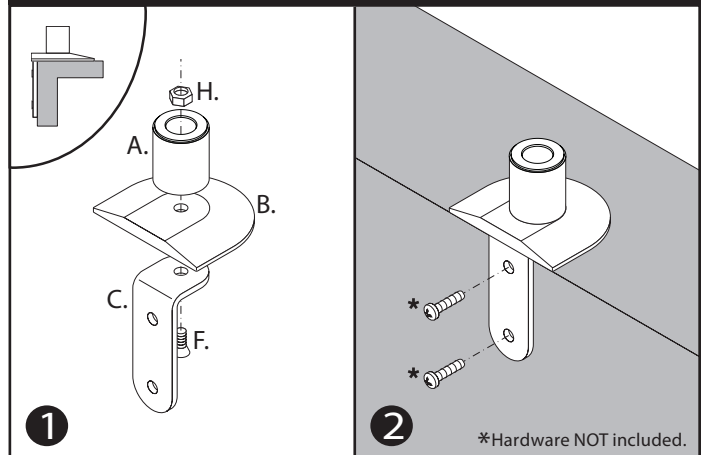
Reverse Wall Mount



Grommet Hole



Side Bolt




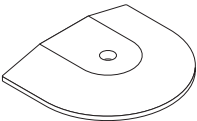
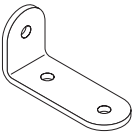
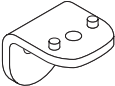
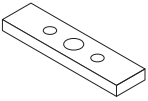
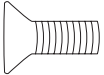
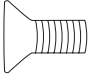
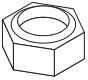
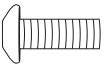
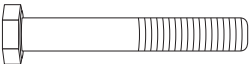
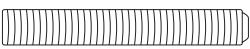

ERGOMART

Ergonomic solutions for office and light industrial work environments

FLEXIBLE MOUNT KIT

Parts List

www.ergomart.com | 888 420 3200

ITEM	DESCRIPTION / PART NO.	QUANTITY
A.	 Mount Column 401328, 8269	1
B.	 Base Plate 401417, 8321	1
C.	 Large "L" Bracket 701117, 702828	1
D.	 Small "L" Bracket 701116	1
E.	 3" (76.2mm) x 3/4" (19.05mm) x 1/4" (6.35mm) Rectangular Spacer 701544	1
F.	 3/8-16 x 1" (25.4mm) Flat Socket Cap Screw 701124, 701855	1
G.	 3/8-16 x 7/8" (22.225mm) Flat Socket Cap Screw 701799	1
H.	 3/8-16 Nylon Stop Nut 701418	1
I.	 3/8-16 x 7/8" (22.225mm) Button Socket Cap Screw 701122	1
J.	 3/8-16 x 2-1/2" (63.5mm) Hex Head Bolt 700268	1
K.	 1/2-13 x 3" (76.2mm) Socket Set Screw 701126	1
L.	 Foam Pad (Included with Model 7000 only) 701120	1

ERGOMART

Ergonomic solutions for office and light industrial work environments