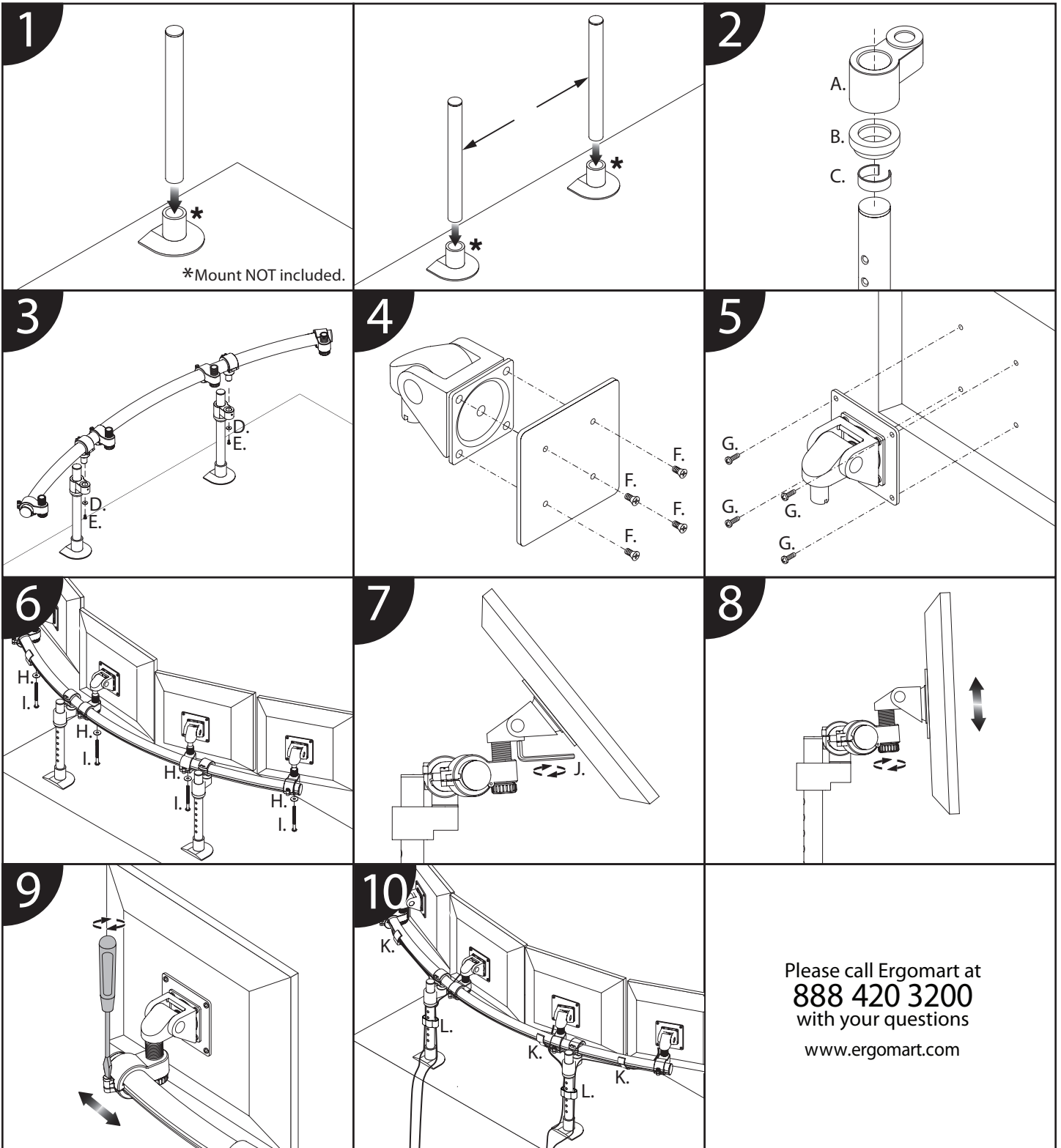


AM4-2P Multi LCD Mount Installation Instructions

www.ergomart.com | 888 420 3200



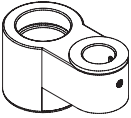
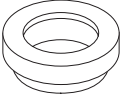


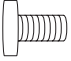
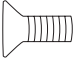
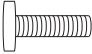
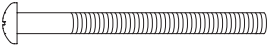


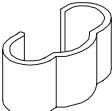
Please call Ergomart at
888 420 3200
with your questions
www.ergomart.com

ERGOMART

Ergonomic solutions for office and light industrial work environments

AM4-2P Multi LCD Mount Parts List

www.ergomart.com | 888 420 3200

ITEM	DESCRIPTION / PART NO.	QUANTITY
A. 	Short Arm 407557	2
B. 	Pole Snap Outer 105197	2
C. 	Pole Snap Inner DX4450	2
D. 	Short Arm Washer 704197	2
E. 	10-32 x 3/8" (9.525mm) Phillips Pan Head Screw 700115	2
F. 	10-32 x 3/8" (9.525mm) Phillips Flat Head Screw 702281	16
G. 	M4-12 Phillips Pan Head Screw 702096	16
H. 	ArcView Tilter Washer 105823	4
I. 	Pan Head Tension Screw 105822	4
J. 	7/32" (5.563mm) Allen Wrench 701127	1
K. 	Cable Clip 105445	3
L. 	Double Cable Clip 702506	1

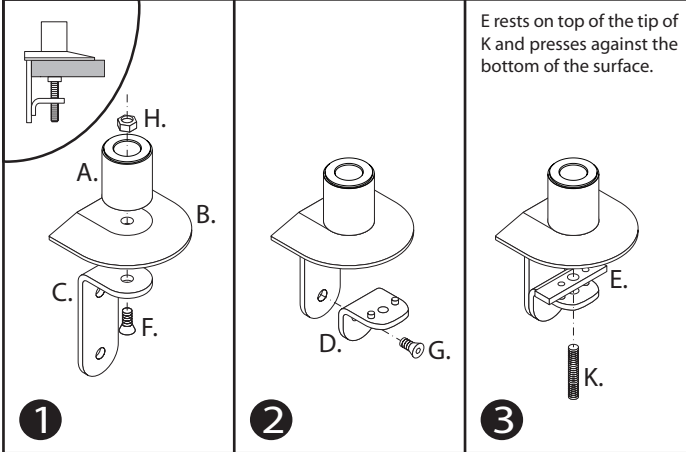
ERGOMART

Ergonomic solutions for office and light industrial work environments

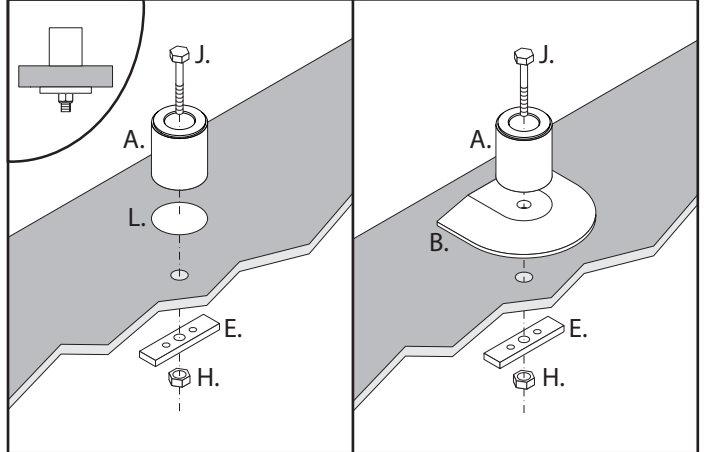
FLEXIBLE MOUNT KIT Installation Instructions

www.ergomart.com | 888 420 3200

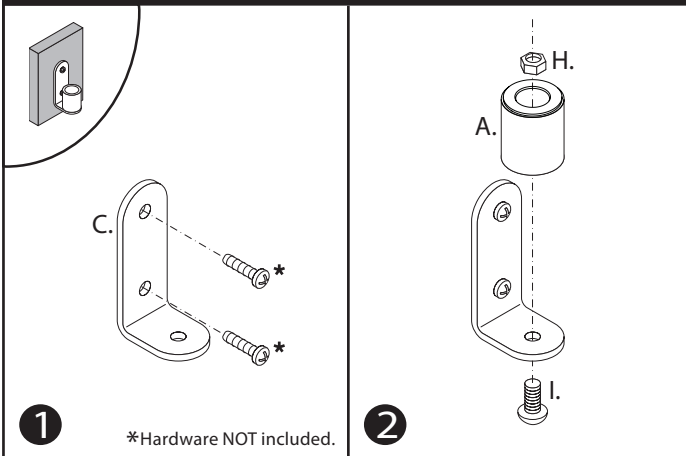
Desk Clamp



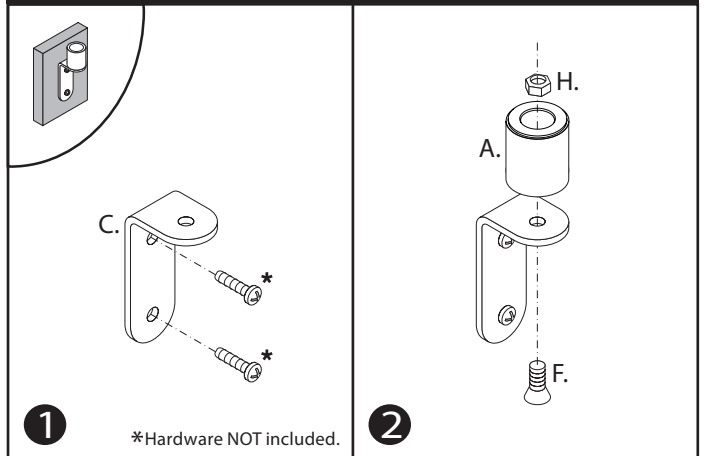
Thru-Desk



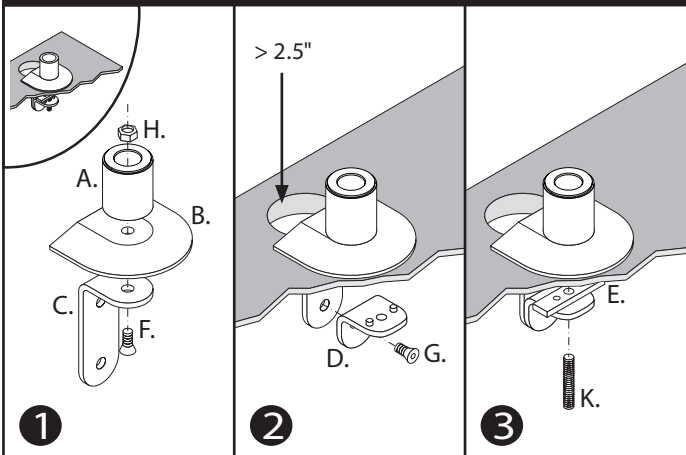
Wall Mount



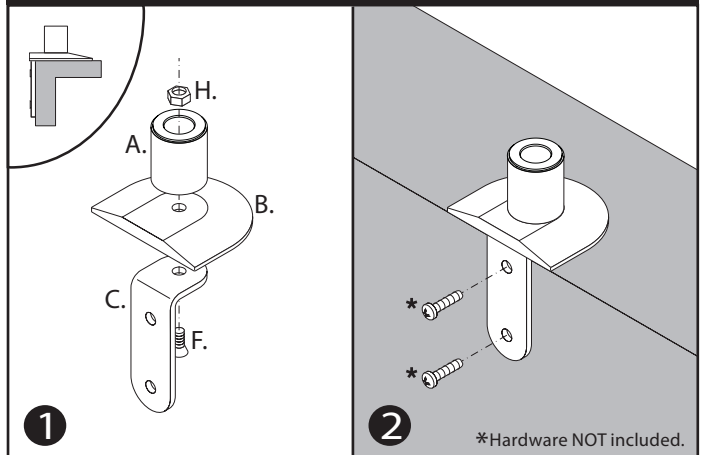
Reverse Wall Mount



Grommet Hole



Side Bolt




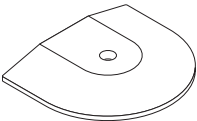
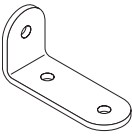
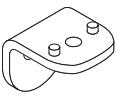
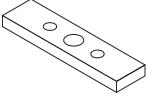
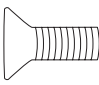
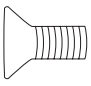
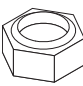
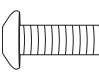
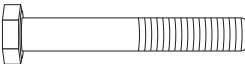
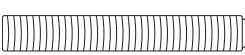

ERGOMART

Ergonomic solutions for office and light industrial work environments

FLEXIBLE MOUNT KIT

Parts List

www.ergomart.com | 888 420 3200

ITEM	DESCRIPTION / PART NO.	QUANTITY
A. 	Mount Column 401328, 8269	1
B. 	Base Plate 401417, 8321	1
C. 	Large "L" Bracket 701117, 702828	1
D. 	Small "L" Bracket 701116	1
E. 	3" (76.2mm) x 3/4" (19.05mm) x 1/4" (6.35mm) Rectangular Spacer 701544	1
F. 	3/8-16 x 1" (25.4mm) Flat Socket Cap Screw 701124, 701855	1
G. 	3/8-16 x 7/8" (22.225mm) Flat Socket Cap Screw 701799	1
H. 	3/8-16 Nylon Stop Nut 701418	1
I. 	3/8-16 x 7/8" (22.225mm) Button Socket Cap Screw 701122	1
J. 	3/8-16 x 2-1/2" (63.5mm) Hex Head Bolt 700268	1
K. 	1/2-13 x 3" (76.2mm) Socket Set Screw 701126	1
L. 	Foam Pad (Included with Model 7000 only) 701120	1

ERGOMART

Ergonomic solutions for office and light industrial work environments